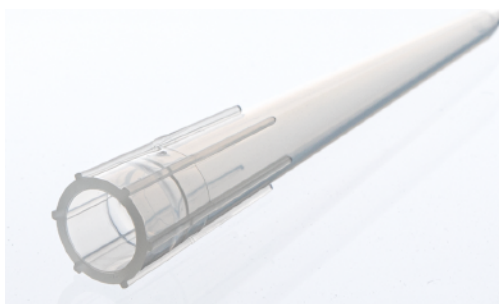
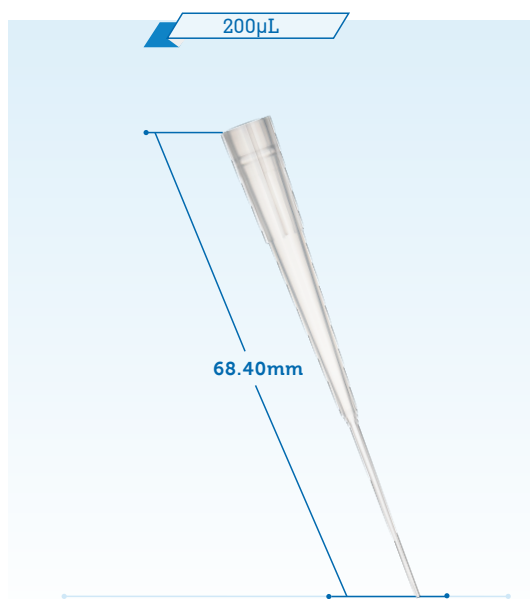


# Gel-loading pipette tip

- Easily load tiny 1-microliter samples without damaging the gel.
- Compatible with most pipettes used in labs, excluding Rainin LTS and Thermo Clip-Tip.
- Ideal for loading samples in SDS-PAGE electrophoresis, agarose gel electrophoresis, 2-D electrophoresis, and more.



## ORDER INFORMATION

Size	Packaging	Color	Class	Cat.#	Qty / Case	Size / Case (CM)			Weight / Case(Kg)
						L	W	H	
200µL	96 tips/Rack	Nature	Common	GTR200-S	50 Racks/Case	49	48	27	7.45

