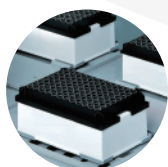


DATA SHEET

Robotic tips for TECAN MCA

ISO 9001

Features

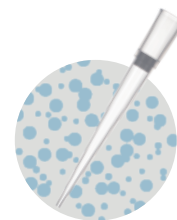


Robotic Tips for liquid handling and flexible channel arms designed for TECAN MCA liquid handling systems.

ISO
Class 08

Produced in a 100,000-level dust-free workshop.

The filter achieve effectively prevent cross-infection.



Raw Material

Manufactured of natural Polypropylene (PP) using diamond polished molds.

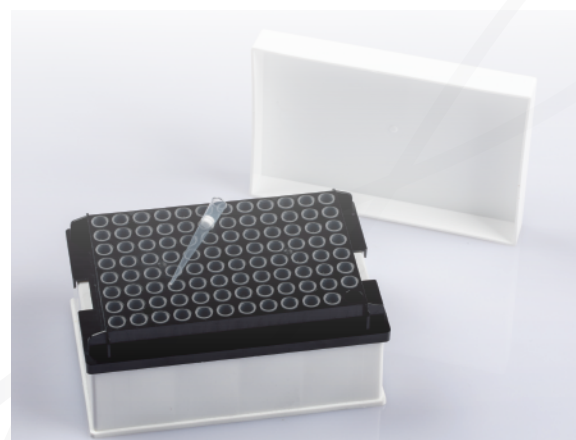
The filters of filter tips are made of Polyethylene (PE).

We Open To New Ideas!

Application

Compatible with TECAN MCA Liquid Handling Systems.

Used for prevent pipette contamination and sample cross-contamination.



*Tecan® MultiChannel Arm™ 96 is a trademark of Tecan Trading AG.

SHAOXING GENFOLLOWER BIOTECH CO.,LTD.

Add: Eastern industrial park, Baiguan street, Shangyu district, Shaoxing city, Zhejiang province, China

Email: GenFollower@Genfollower.com

Web: www.GenFollower.com

Fax: +86-575-82032762

Tel: +86-575-82936953

**GenFollower**®

DATA SHEET

Robotic tips for TECAN MCA

ISO 9001

Product Range

Cat.#	Description	Packaging
AFT50TM	50uL, Non-Conductive, with Filter, sterile, RNase and DNase free	96 Tips/Rack, 50 Racks/Case
AT50TM	50uL, Non-Conductive, sterile, RNase and DNase free	96 Tips/Rack, 50 Racks/Case
AFT200TM	200uL, Non-Conductive, with Filter, sterile, RNase and DNase free	96 Tips/Rack, 50 Racks/Case
AT200TM	200uL, Non-Conductive, sterile, RNase and DNase free	96 Tips/Rack, 50 Racks/Case

Color



Tip: Clear



Filter: White

SHAOXING GENFOLLOWER BIOTECH CO.,LTD.

Add: Eastern industrial park, Baiguan street, Shangyu district,
Shaoxing city, Zhejiang province, China

Email: GenFollower@Genfollower.com

Web: www.GenFollower.com

Fax: +86-575-82032762

Tel: +86-575-82936953

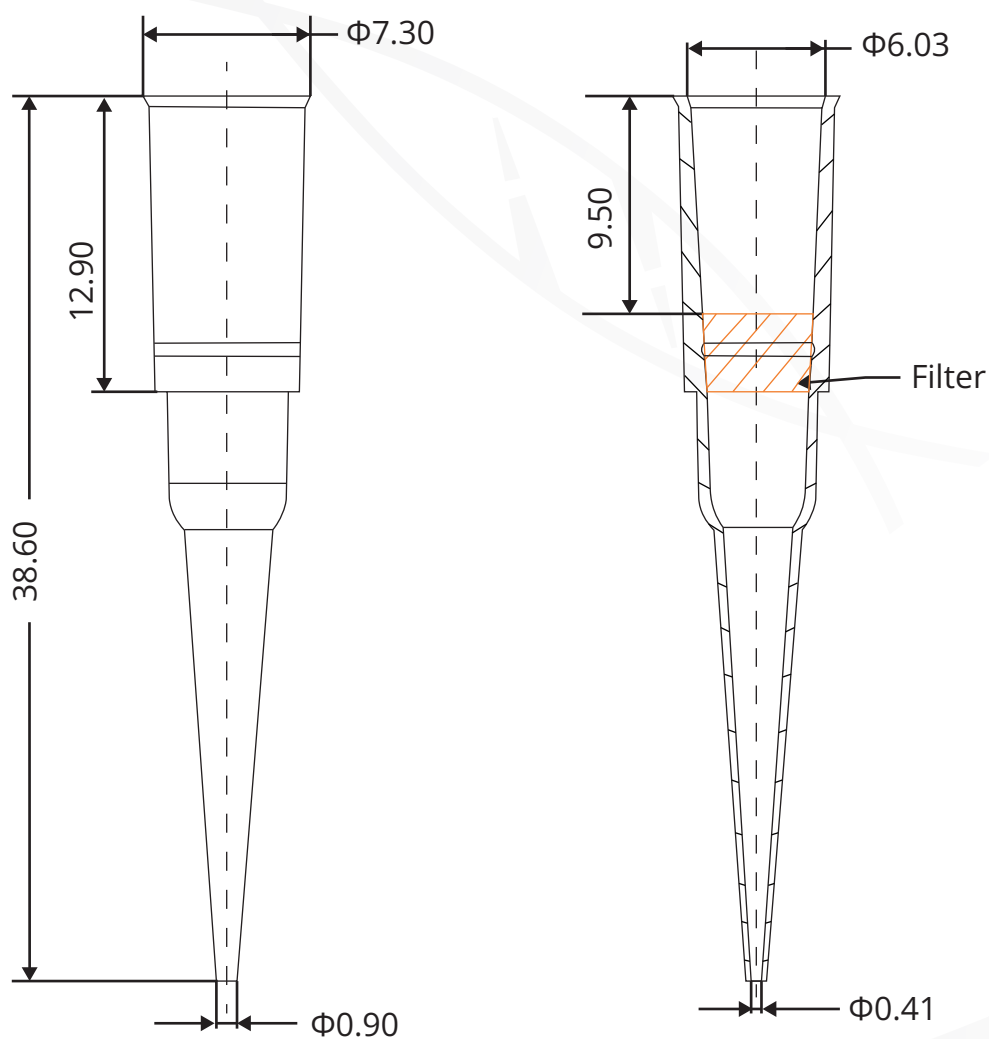
**GenFollower**[®]

DATA SHEET

Robotic tips for *TECAN MCA*

ISO 9001

Technical Drawing - 50 μ L



(Unit: mm)

SHAOXING GENFOLLOWER BIOTECH CO.,LTD.

Add: Eastern industrial park, Baiguan street, Shangyu district,
Shaoxing city, Zhejiang province, China

Email: GenFollower@Genfollower.com

Web: www.GenFollower.com

Fax: +86-575-82032762

Tel: +86-575-82936953

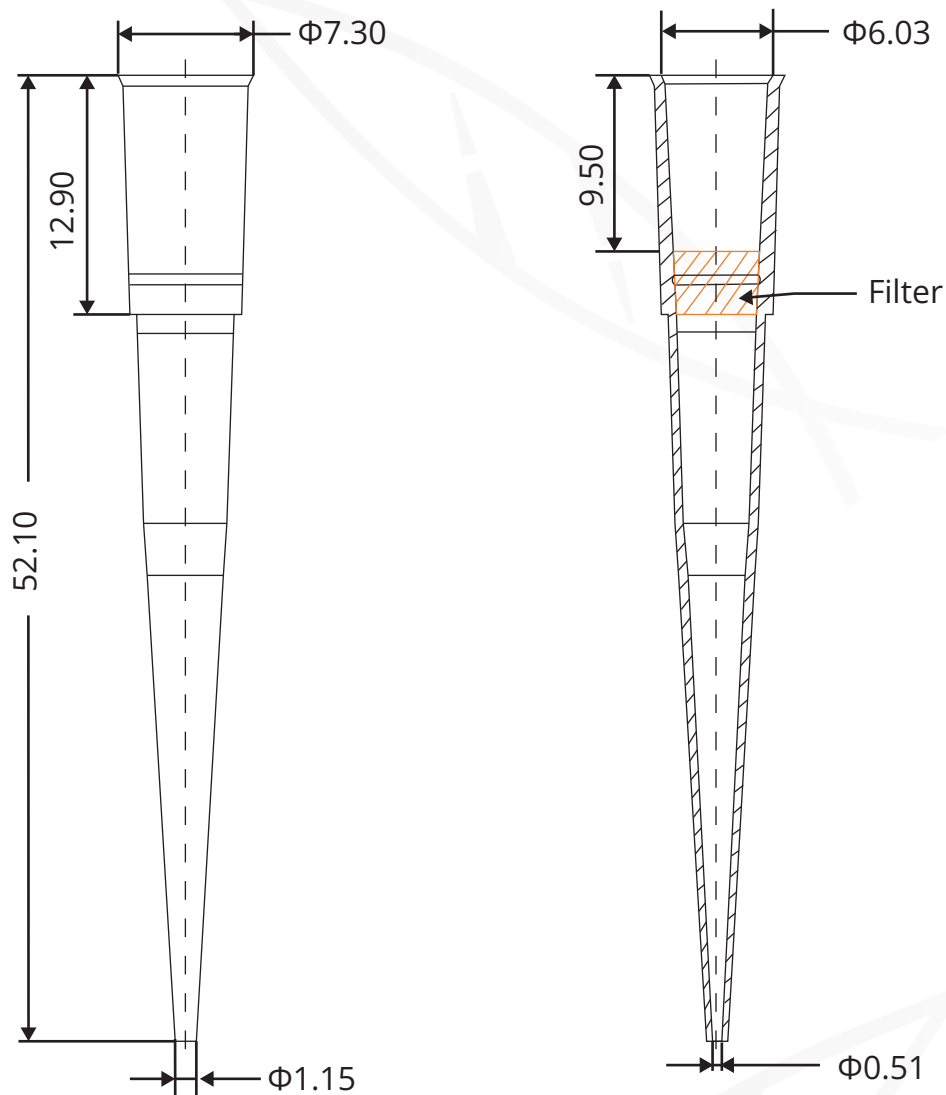
GenFollower[®]

DATA SHEET

Robotic tips for *TECAN MCA*

ISO 9001

Technical Drawing - 200 μ L



(Unit: mm)

SHAOXING GENFOLLOWER BIOTECH CO.,LTD.

Add: Eastern industrial park, Baiguan street, Shangyu district, Shaoxing city, Zhejiang province, China

Email: GenFollower@Genfollower.com

Web: www.GenFollower.com

Fax: +86-575-82032762

Tel: +86-575-82936953