

# DATA SHEET

*Robotic tips for Beckman*

ISO 9001

## Features

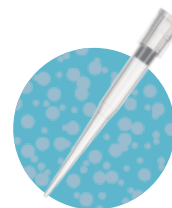


Made in high-quality medical-grade polypropylene.



Designed exclusively for use on Biomek stations, providing consistent and accurate pipetting performance.

The filter prevents cross-contamination, maintaining the purity of each sample.



Sterile and free from Dnase, Rnase, DNA and pyrogenic contaminants.



## Raw Material

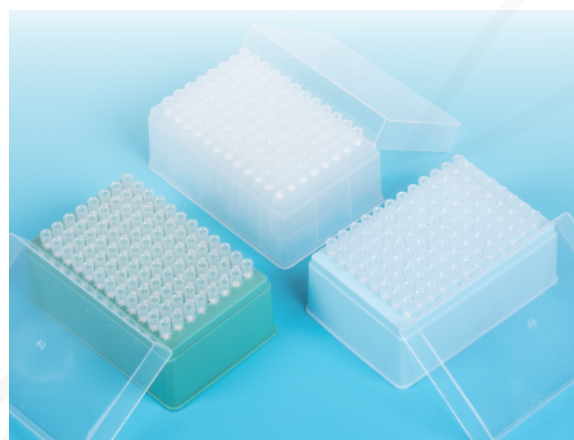
The tips are made in medical-grade polypropylene.

The filters of filter tips are made of polyethylene.

## Application

As an integral component of high-throughput automated platforms, automation tips find applications in the fields of biotechnology and chemistry, ensuring result accuracy while minimizing human errors. Specifically designed for compatibility with Beckman Biomek® NX/FX stations, these tips enhance overall operational efficiency.

**We Open To New Ideas!**



\*Beckman Biomek® is a trademark of Beckman Coulter, Inc.

## SHAOXING GENFOLLOWER BIOTECH CO.,LTD.

**Add:** Eastern industrial park, Baiguan street, Shangyu district, Shaoxing city, Zhejiang province, China

**Email:** GenFollower@Genfollower.com

**Web:** www.GenFollower.com

**Fax:** +86-575-82032762

**Tel:** +86-575-82936953

**GenFollower**®

# DATA SHEET

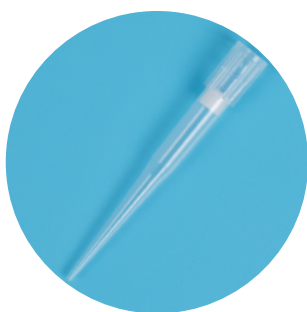
*Robotic tips for Beckman*

ISO 9001

## Product Range

Cat.#	Description	Packaging
AFT20BK	20uL, Non-Conductive, with Filter, sterile, RNase and DNase free	96 Tips/Rack, 50 Racks/Case
AFT50BK	50uL, Non-Conductive, with Filter, sterile, RNase and DNase free	96 Tips/Rack, 50 Racks/Case
AFT250BK	250uL, Non-Conductive, with Filter, sterile, RNase and DNase free	96 Tips/Rack, 50 Racks/Case

## Color



Non-Conductive tips: Clear



Filter: White

## SHAOXING GENFOLLOWER BIOTECH CO.,LTD.

**Add:** Eastern industrial park, Baiguan street, Shangyu district,  
Shaoxing city, Zhejiang province, China

**Email:** GenFollower@Genfollower.com

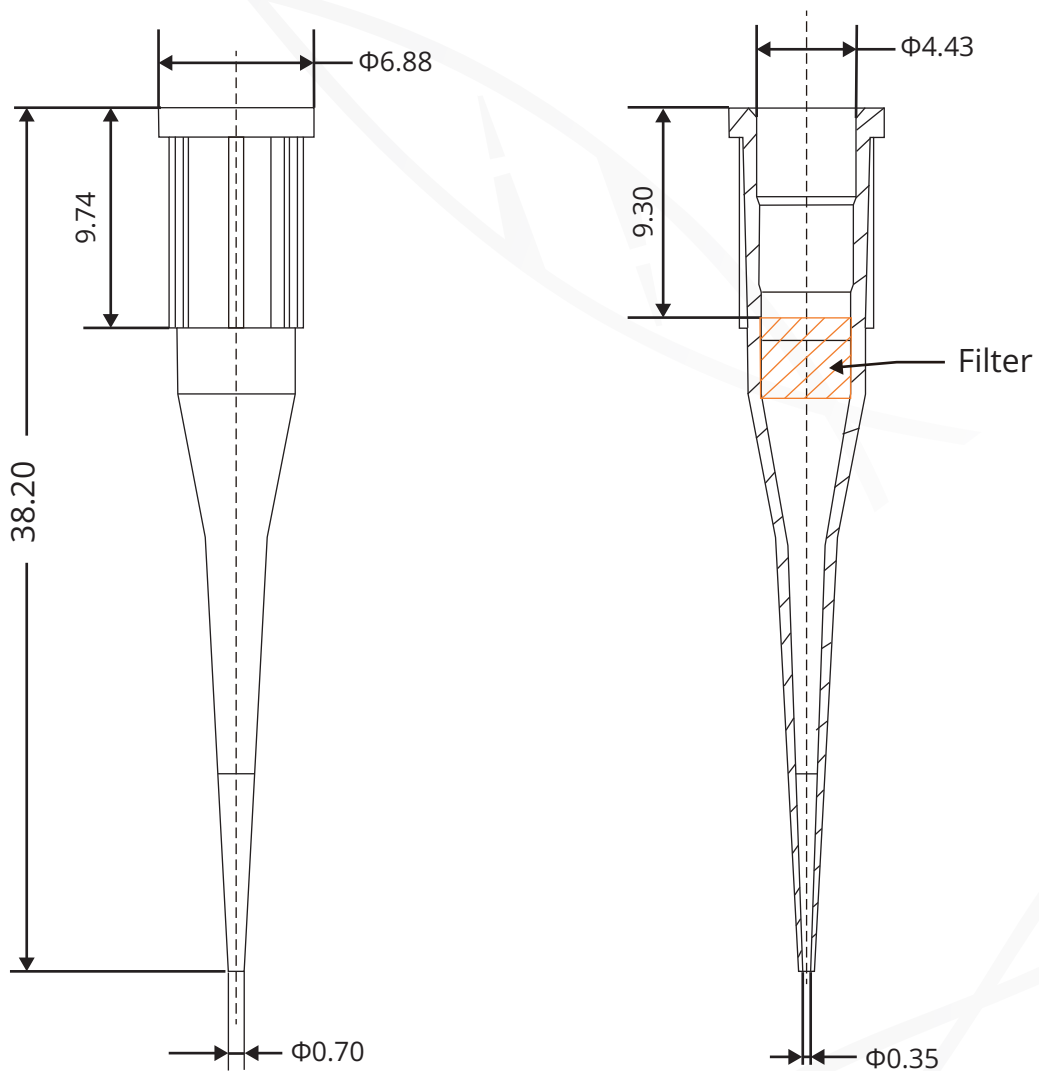
**Web:** www.GenFollower.com

**Fax:** +86-575-82032762

**Tel:** +86-575-82936953

**GenFollower**<sup>®</sup>

## Technical Drawing - 20 $\mu$ L



(Unit: mm)

### SHAOXING GENFOLLOWER BIOTECH CO.,LTD.

**Add:** Eastern industrial park, Baiguan street, Shangyu district, Shaoxing city, Zhejiang province, China

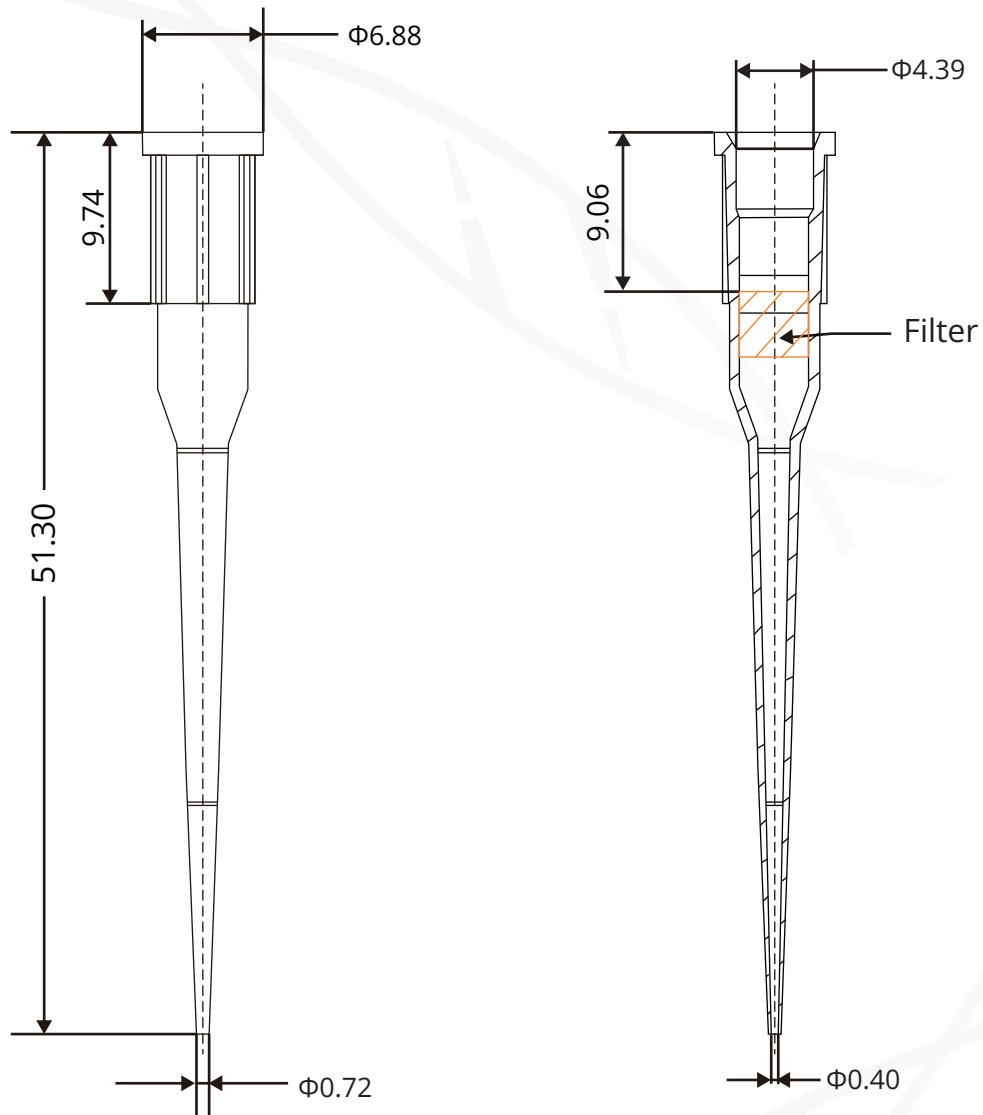
**Email:** GenFollower@Genfollower.com

**Web:** www.GenFollower.com

**Fax:** +86-575-82032762

**Tel:** +86-575-82936953

## Technical Drawing - 50 $\mu$ L



(Unit: mm)

### SHAOXING GENFOLLOWER BIOTECH CO.,LTD.

**Add:** Eastern industrial park, Baiguan street, Shangyu district, Shaoxing city, Zhejiang province, China

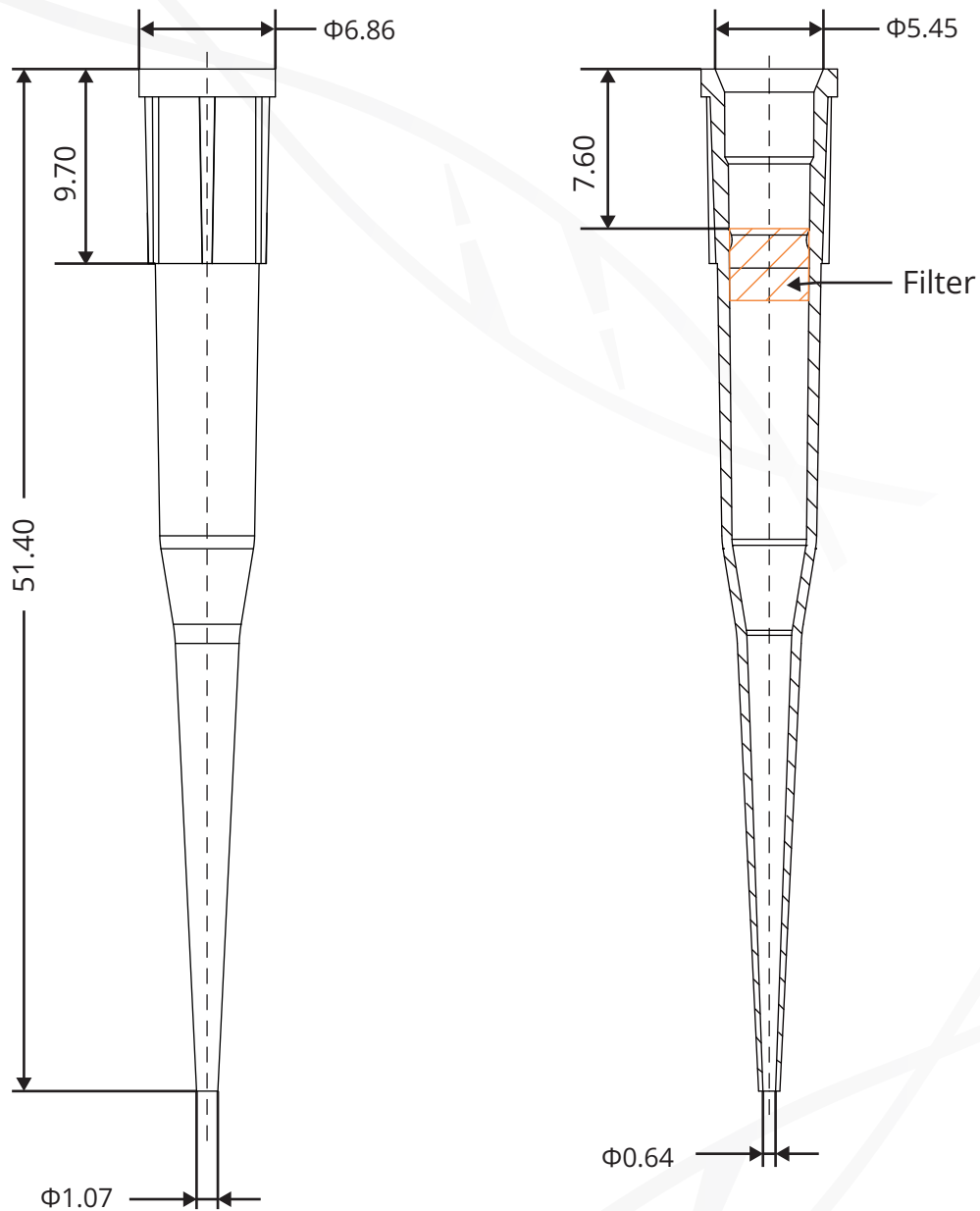
**Email:** GenFollower@Genfollower.com

**Web:** www.GenFollower.com

**Fax:** +86-575-82032762

**Tel:** +86-575-82936953

## Technical Drawing - 250 $\mu$ L



(Unit: mm)

### SHAOXING GENFOLLOWER BIOTECH CO.,LTD.

**Add:** Eastern industrial park, Baiguan street, Shangyu district, Shaoxing city, Zhejiang province, China

**Email:** GenFollower@GenFollower.com

**Web:** www.GenFollower.com

**Fax:** +86-575-82032762

**Tel:** +86-575-82936953