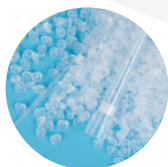


DATA SHEET

Robotic tips for Hamilton

ISO 9001

Features



Made in high-quality medical-grade polypropylene.



Offers a wide range of automation tips to suit different needs, including conductive, and filtered options.

Compatible with various Hamilton® workstations, ensuring extreme accuracy and precision.



Guaranteed sterile, free from Dnase, Rnase, and pyrogenic contaminants.



Raw Material

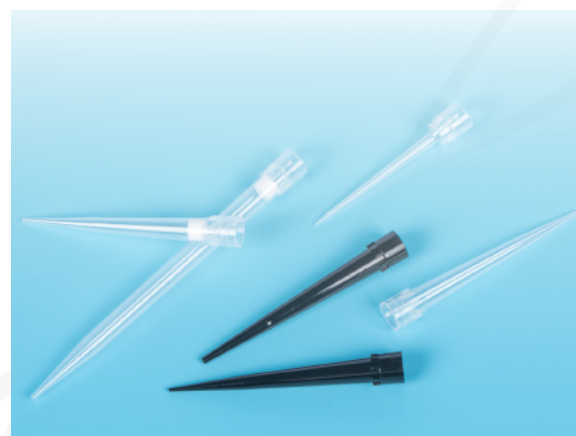
The tips are made in conductive black or clear polypropylene.

The filters of filter tips are made of Polyethylene.

Application

Automation tips are vital for precise liquid handling in laboratory applications. Typically, these tips work in tandem with automated liquid handling systems to execute essential tasks including sample preparation, liquid handling, and various other operations. Specifically designed for compatibility, these robotic tips are predominantly utilized in advanced Hamilton® pipette stations such as the Microlab® VANTAGE Liquid Handling System®, STAR™, and NIMBUS®. Their exceptional compatibility ensures optimal performance within these systems.

We Open To New Ideas!



*Hamilton® Microlab® VANTAGE Liquid Handling System®, STAR™ and NIMBUS® are registered trademarks of Hamilton Company.

SHAOXING GENFOLLOWER BIOTECH CO.,LTD.

Add: Eastern industrial park, Baiguan street, Shangyu district, Shaoxing city, Zhejiang province, China

Email: GenFollower@Genfollower.com

Web: www.GenFollower.com

Fax: +86-575-82032762

Tel: +86-575-82936953

 GenFollower®

DATA SHEET

Robotic tips for Hamilton

ISO 9001

Product Range

Cat.#	Description	Packaging
AFT50HA5	50uL, Non-Conductive, with Filter, sterile, RNase and DNase free	96*5 Tips/Unit, 12 Units/Carton
AFT50HA	50uL, Non-Conductive, with Filter, sterile, RNase and DNase free	96 Tips/Rack, 24 Racks/Carton
AT50HA5	50uL, Non-Conductive, sterile, RNase and DNase free	96*5 Tips/Unit, 12 Units/Carton
AT50HA	50uL, Non-Conductive, sterile, RNase and DNase free	96 Tips/Rack, 24 Racks/Carton
AFT50HA5-C	50uL, Conductive, with Filter, sterile, RNase and DNase free	96*5 Tips/Unit, 12 Units/Carton
AFT50HA-C	50uL, Conductive, with Filter, sterile, RNase and DNase free	96 Tips/Rack, 24 Racks/Carton
AT50HA5-C	50uL, Conductive, sterile, RNase and DNase free	96*5 Tips/Unit, 12 Units/Carton
AT50HA-C	50uL, Conductive, sterile, RNase and DNase free	96 Tips/Rack, 24 Racks/Carton
AFT300HA5	300uL, Non-Conductive, with Filter, sterile, RNase and DNase free	96*5 Tips/Unit, 12 Units/Carton
AFT300HA	300uL, Non-Conductive, with Filter, sterile, RNase and DNase free	96 Tips/Rack, 24 Racks/Carton
AT300HA5	300uL, Non-Conductive, sterile, RNase and DNase free	96*5 Tips/Unit, 12 Units/Carton
AT300HA	300uL, Non-Conductive, sterile, RNase and DNase free	96 Tips/Rack, 24 Racks/Carton
AFT300HA5-C	300uL, Conductive, with Filter, sterile, RNase and DNase free	96*5 Tips/Unit, 12 Units/Carton
AFT300HA-C	300uL, Conductive, with Filter, sterile, RNase and DNase free	96 Tips/Rack, 24 Racks/Carton
AT300HA5-C	300uL, Conductive, sterile, RNase and DNase free	96*5 Tips/Unit, 12 Units/Carton
AT300HA-C	300uL, Conductive, sterile, RNase and DNase free	96 Tips/Rack, 24 Racks/Carton
AFT1000HA5	1000uL, Non-Conductive, with Filter, sterile, RNase and DNase free	96*5 Tips/Unit, 8 Units/Carton
AFT1000HA	1000uL, Non-Conductive, with Filter, sterile, RNase and DNase free	96 Tips/Rack, 16 Racks/Carton
AT1000HA5	1000uL, Non-Conductive, sterile, RNase and DNase free	96*5 Tips/Unit, 8 Units/Carton
AT1000HA	1000uL, Non-Conductive, sterile, RNase and DNase free	96 Tips/Rack, 16 Racks/Carton
AFT1000HA5-C	1000uL, Conductive, with Filter, sterile, RNase and DNase free	96*5 Tips/Unit, 8 Units/Carton
AFT1000HA-C	1000uL, Conductive, with Filter, sterile, RNase and DNase free	96 Tips/Rack, 16 Racks/Carton
AT1000HA5-C	1000uL, Conductive, sterile, RNase and DNase free	96*5 Tips/Unit, 8 Units/Carton
AT1000HA-C	1000uL, Conductive, sterile, RNase and DNase free	96 Tips/Rack, 16 Racks/Carton

SHAOXING GENFOLLOWER BIOTECH CO.,LTD.

Add: Eastern industrial park, Baiguan street, Shangyu district,
Shaoxing city, Zhejiang province, China

Email: GenFollower@Genfollower.com

Web: www.GenFollower.com

Fax: +86-575-82032762

Tel: +86-575-82936953

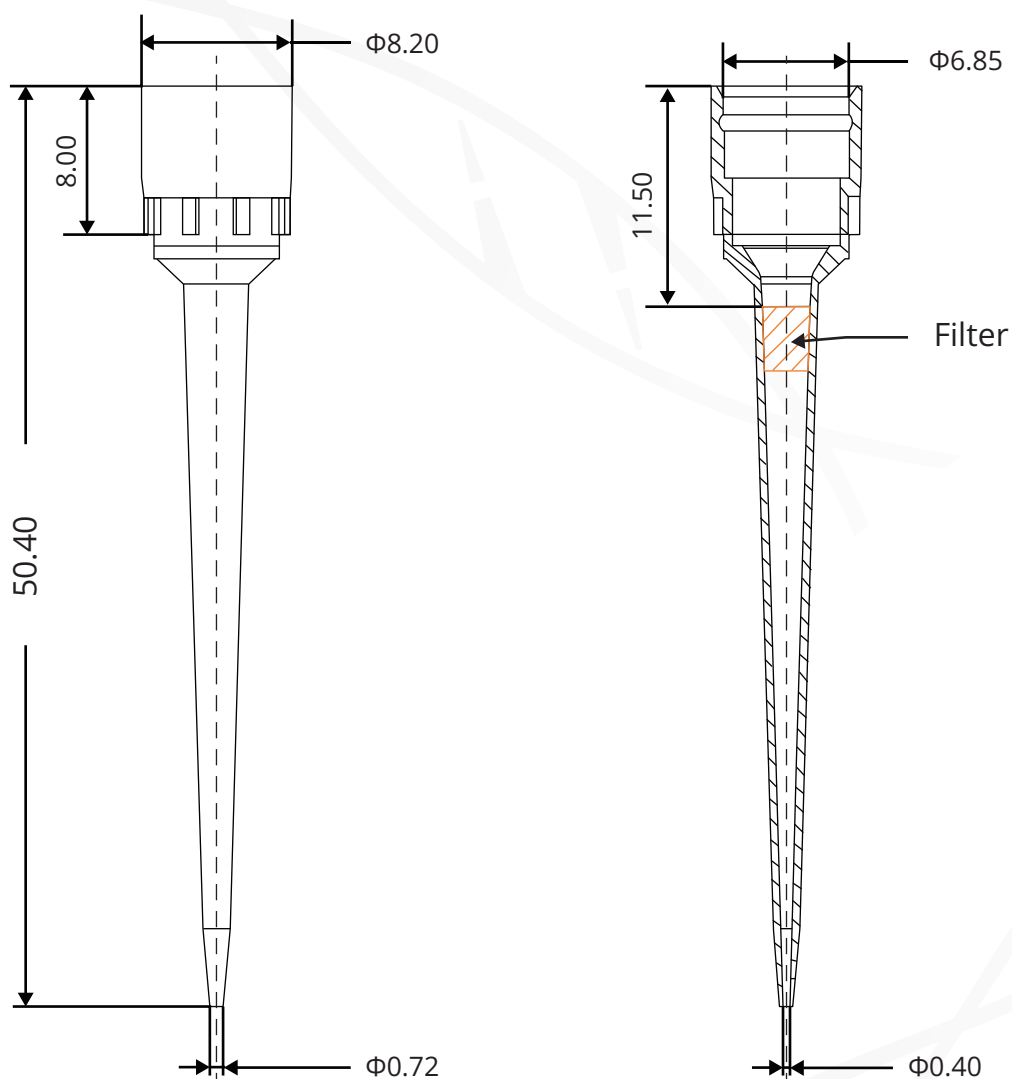


DATA SHEET

Robotic tips for Hamilton

ISO 9001

Technical Drawing - 50 μ L



(Unit: mm)

SHAOXING GENFOLLOWER BIOTECH CO.,LTD.

Add: Eastern industrial park, Baiguan street, Shangyu district, Shaoxing city, Zhejiang province, China

Email: GenFollower@Genfollower.com

Web: www.GenFollower.com

Fax: +86-575-82032762

Tel: +86-575-82936953

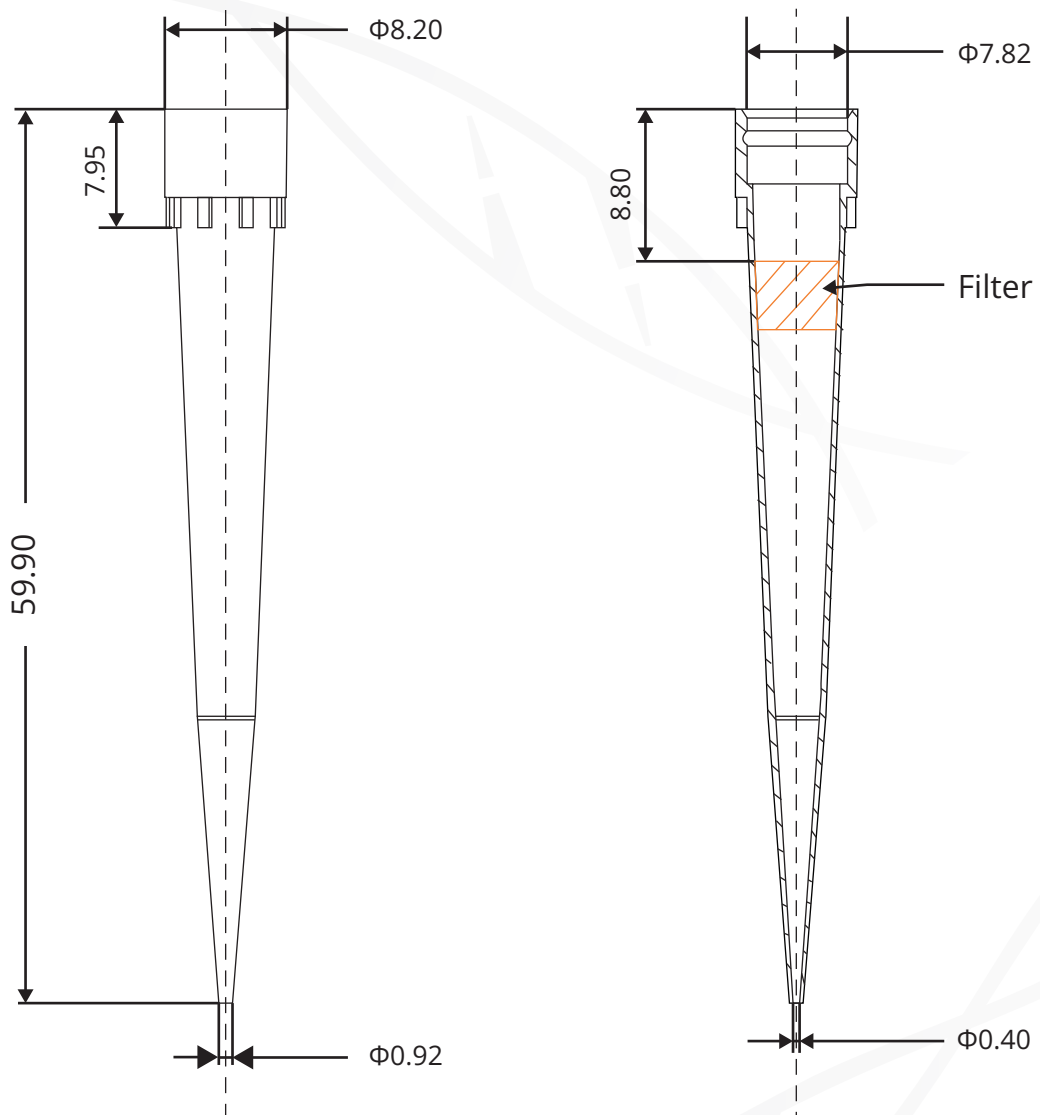
 GenFollower[®]

DATA SHEET

Robotic tips for Hamilton

ISO 9001

Technical Drawing - 300 μ L



(Unit: mm)

SHAOXING GENFOLLOWER BIOTECH CO.,LTD.

Add: Eastern industrial park, Baiguan street, Shangyu district, Shaoxing city, Zhejiang province, China

Email: GenFollower@Genfollower.com

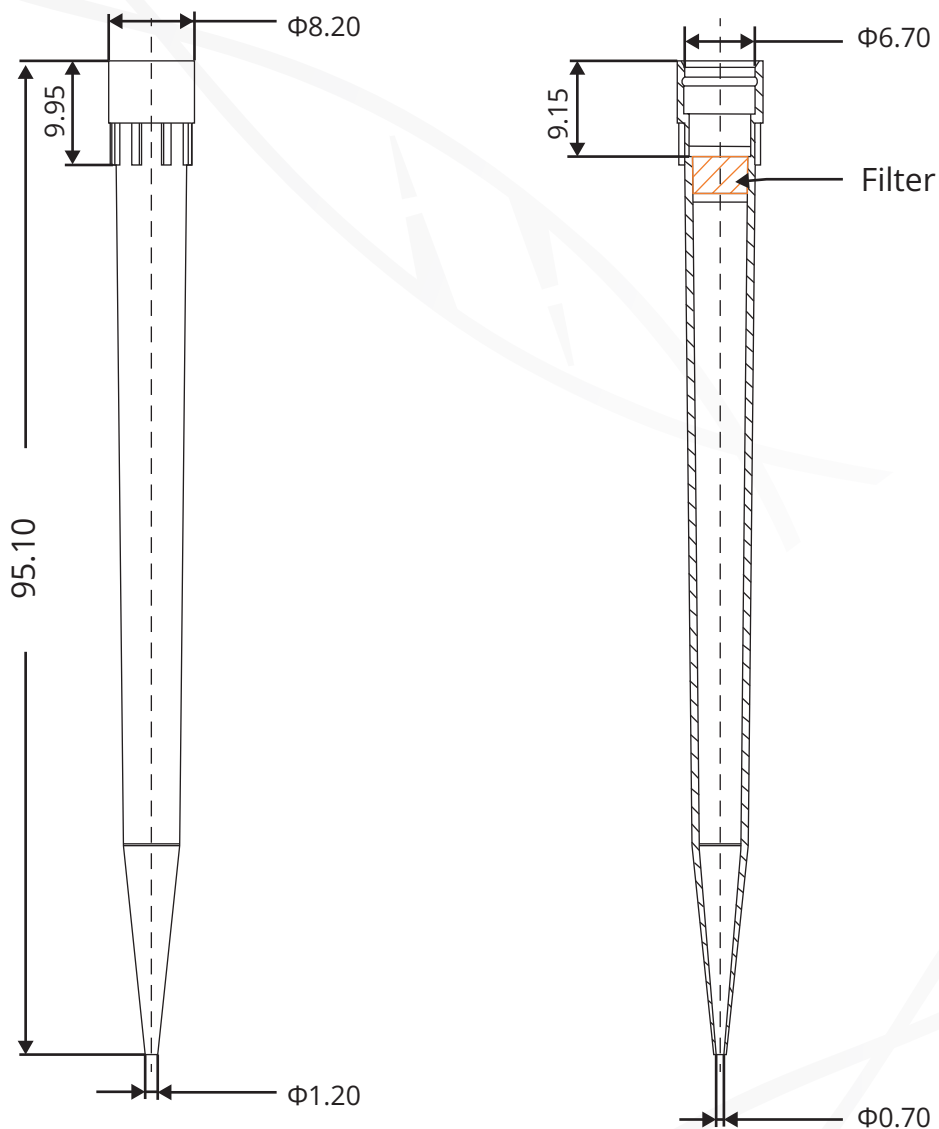
Web: www.GenFollower.com

Fax: +86-575-82032762

Tel: +86-575-82936953

**GenFollower**[®]

Technical Drawing - 1000 μ L



(Unit: mm)

SHAOXING GENFOLLOWER BIOTECH CO.,LTD.

Add: Eastern industrial park, Baiguan street, Shangyu district, Shaoxing city, Zhejiang province, China

Email: GenFollower@Genfollower.com

Web: www.GenFollower.com

Fax: +86-575-82032762

Tel: +86-575-82936953