

DATA SHEET

Micro Centrifuge Tubes

ISO 9001

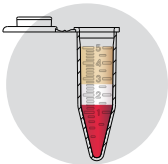
Features



Made from virgin polypropylene, these autoclavable microcentrifuge tubes can withstand temperature up to 121°C.



The universally compatible design allows you to use these tubes with almost all microcentrifuge brands.



Conical bottom design ensures efficient sample segregation.

Easy to open and close with snap cap design.



Made from original polypropylene with excellent chemical resistance.



The 1.5ml microcentrifuge tube was our best seller in the year 2018!



Quality Assurance

Effective quality inspections are conducted for strict quality management and control per the client's needs.

1. Seal tightness test

Precise equipment are used to test the seal tightness of the tubes, to ensure good seal tightness for each batch of products.

2. Whirling test

Precise equipment are used to test the C-Force, to ensure good performance on use.

Application

Microcentrifuge tubes come in handy to store the samples (suspensions and immiscible liquids) that are to be isolated and separated using a microcentrifuge. Usually, these tubes can handle small sample volumes. Researchers use different types of microcentrifuge tubes for different tasks and procedures.

We Open To New Ideas!



SHAOXING GENFOLLOWER BIOTECH CO.,LTD.

Add: Eastern industrial park, Baiguan street, Shangyu district, Shaoxing city, Zhejiang province, China

Email: GenFollower@Genfollower.com

Web: www.GenFollower.com

Fax: +86-575-82032762

Tel: +86-575-82936953

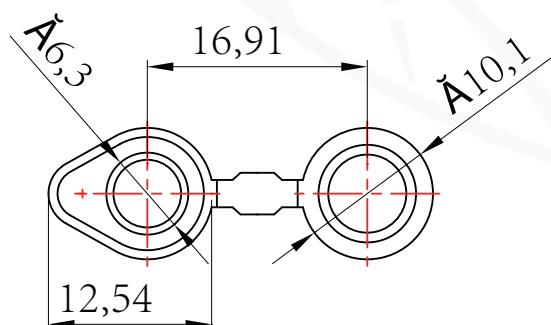
**GenFollower**[®]

Product Range

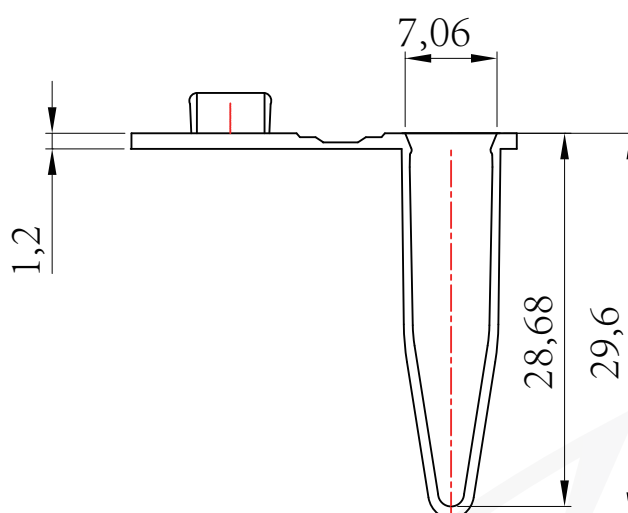
Cat.#	Description	Packaging
MCTB005	0.5mL microcentrifuge tubes, nature, sterile, RNase and DNase free	1000 PCS/Bag, 10 Bags/Case
MCTB015	1.5mL microcentrifuge tubes, nature, sterile, RNase and DNase free	500 PCS/Bag, 10 Bags/Case
MCTB020	2.0mL microcentrifuge tubes, nature, sterile, RNase and DNase free	500 PCS/Bag, 10 Bags/Case
MCTB050	5.0mL microcentrifuge tubes, nature, sterile, RNase and DNase free	200 PCS/Bag, 10 Bags/Case

Technical Drawing- MCTB005

-CAP-



-TUBE-



(Unit: mm)

SHAOXING GENFOLLOWER BIOTECH CO.,LTD.

Add: Eastern industrial park, Baiguan street, Shangyu district, Shaoxing city, Zhejiang province, China

Email: GenFollower@Genfollower.com

Web: www.GenFollower.com

Fax: +86-575-82032762

Tel: +86-575-82936953

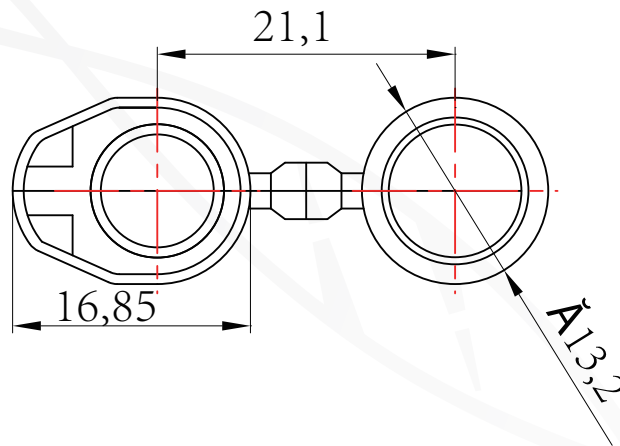
DATA SHEET

Micro Centrifuge Tubes

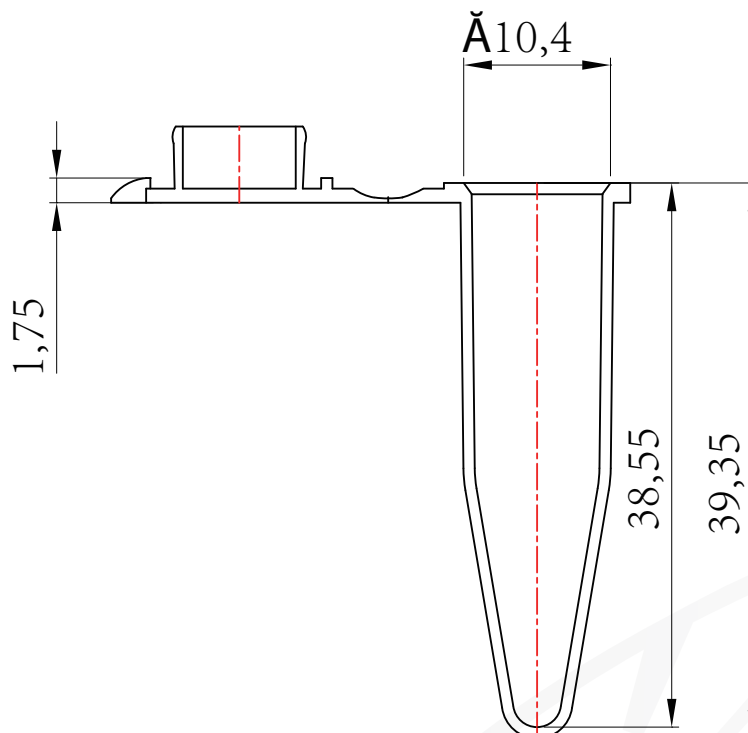
ISO 9001

Technical Drawing - MCTB015

-CAP-



-TUBE-



(Unit: mm)

SHAOXING GENFOLLOWER BIOTECH CO.,LTD.

Add: Eastern industrial park, Baiguan street, Shangyu district, Shaoxing city, Zhejiang province, China

Email: GenFollower@Genfollower.com

Web: www.GenFollower.com

Fax: +86-575-82032762

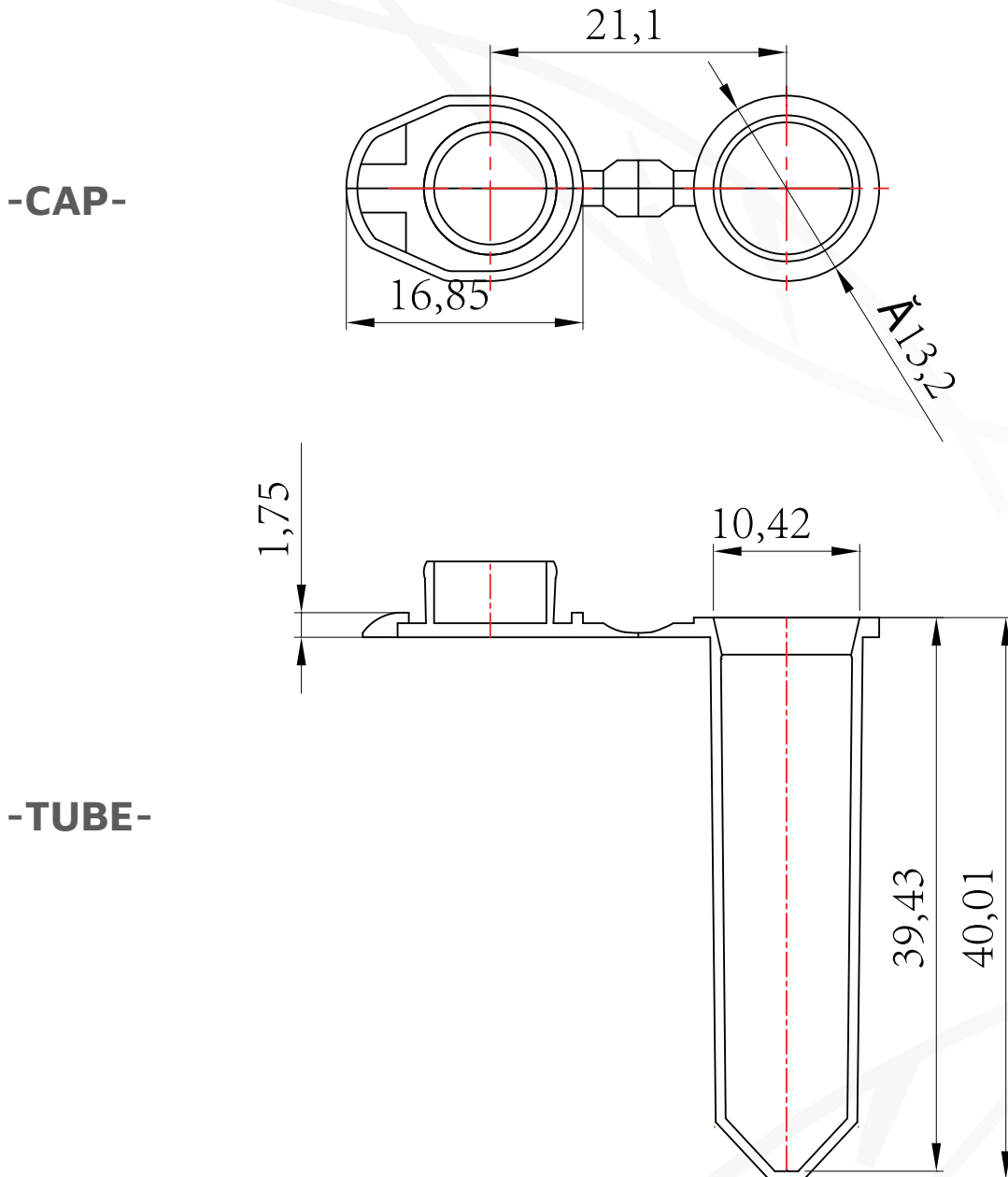
Tel: +86-575-82936953

DATA SHEET

Micro Centrifuge Tubes

ISO 9001

Technical Drawing - MCTB020



(Unit: mm)

SHAOXING GENFOLLOWER BIOTECH CO.,LTD.

Add: Eastern industrial park, Baiguan street, Shangyu district,
Shaoxing city, Zhejiang province, China

Email: GenFollower@Genfollower.com

Web: www.GenFollower.com

Fax: +86-575-82032762

Tel: +86-575-82936953

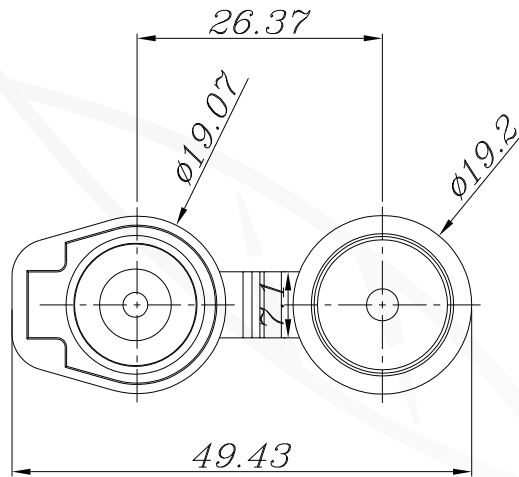
DATA SHEET

Micro Centrifuge Tubes

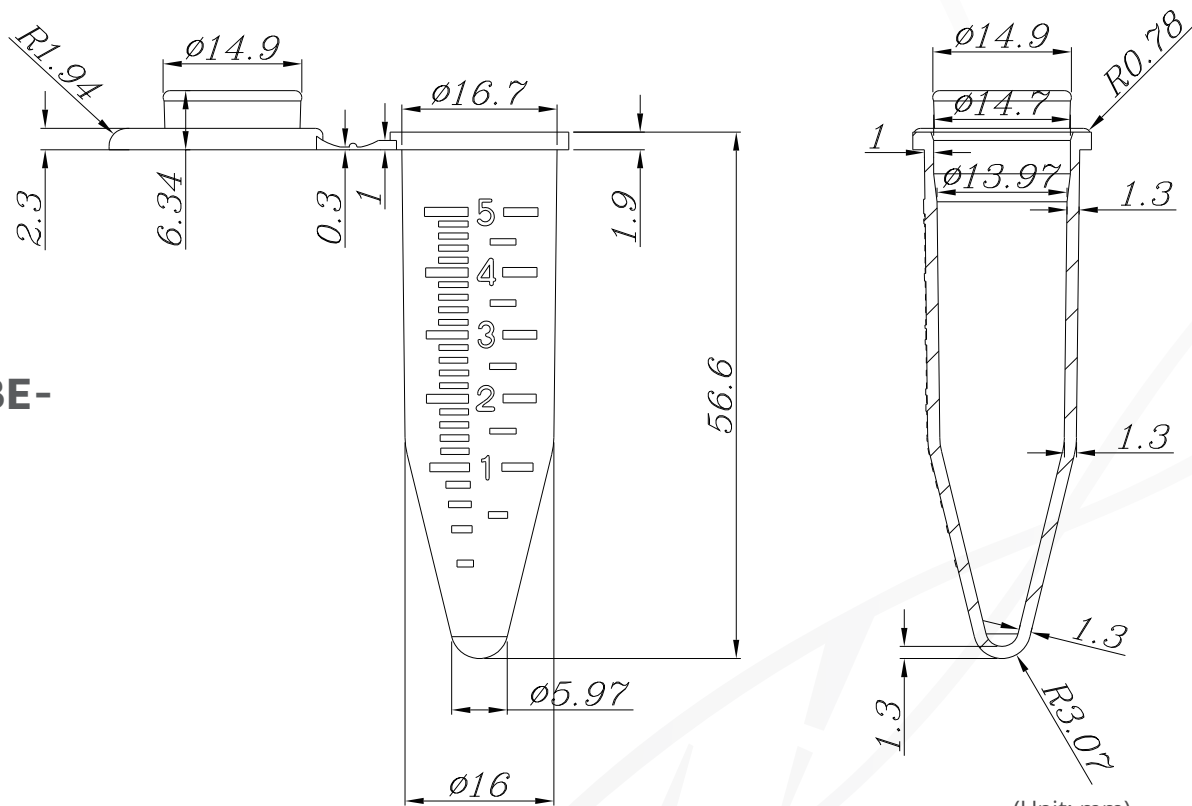
ISO 9001

Technical Drawing - MCTB050

-CAP-



-TUBE-



(Unit: mm)

SHAOXING GENFOLLOWER BIOTECH CO.,LTD.

Add: Eastern industrial park, Baiguan street, Shangyu district,
Shaoxing city, Zhejiang province, China

Email: GenFollower@Genfollower.com

Web: www.GenFollower.com

Fax: +86-575-82032762

Tel: +86-575-82936953