

DATA SHEET

Tip Combs for Deep Well Plates

ISO 9001

Features



Crafted from high-quality polypropylene, it boasts strong chemical resistance.



Offered in both 8-tip comb and 96-tip comb variations.

Free from Dnase, Rnase and human DNA.



Raw Material

These tip combs are produced using pure polypropylene material.

Application

These products securely position the magnetic rod, enhancing its ability to efficiently adsorb and separate within the sample solution. Polypropylene's inherent low binding affinity towards biomolecules makes it an optimal choice for handling magnetic particles, leading to exceptional recovery of magnetic beads. They are frequently employed alongside deep well plates for nucleic acid extraction experiments.

We Open To New Ideas!



SHAOXING GENFOLLOWER BIOTECH CO.,LTD.

Add: Eastern industrial park, Baiguan street, Shangyu district, Shaoxing city, Zhejiang province, China

Email: GenFollower@Genfollower.com

Web: www.GenFollower.com

Fax: +86-575-82032762

Tel: +86-575-82936953

**GenFollower**[®]

DATA SHEET

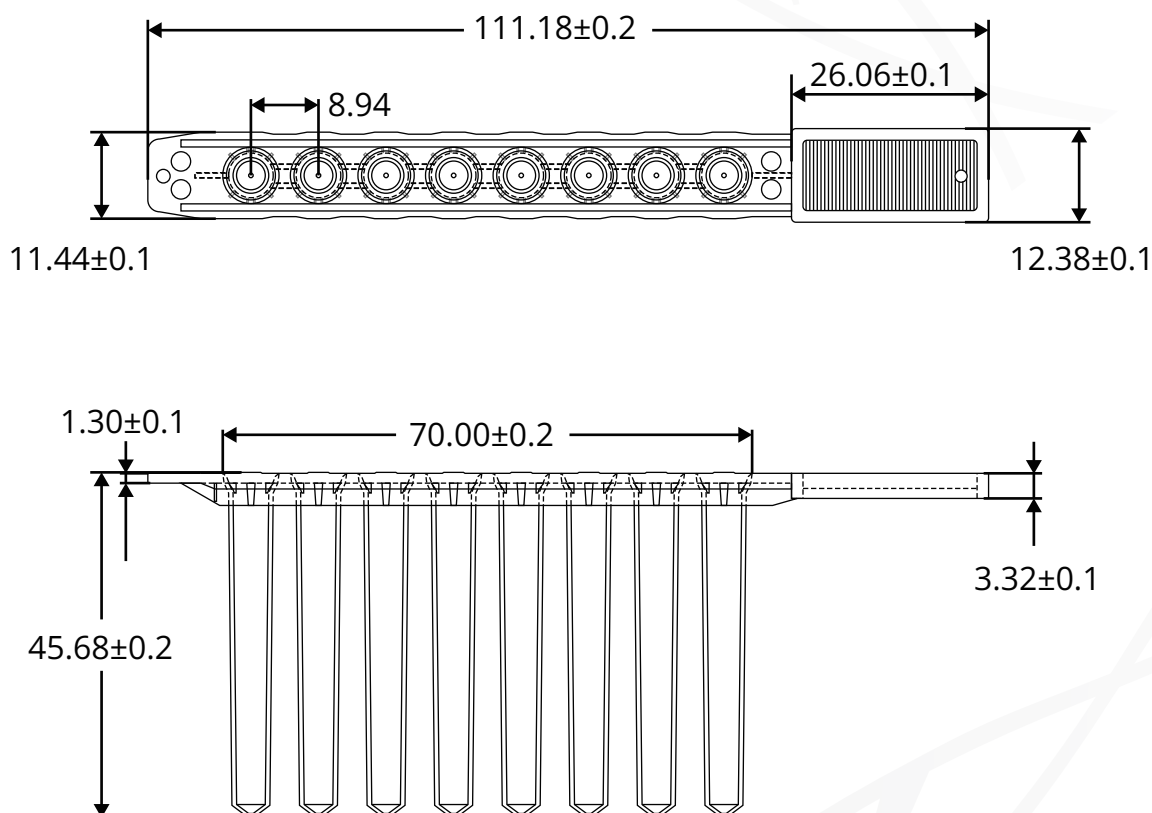
Tip Combs for Deep Well Plates

ISO 9001

Product Range

CAT	Description	Packaging
DKT0008	8 Tip Combs, sterile, DNase and RNase free	1 PCS/Bag, 20 Bags/Box, 20 Boxes/Case
DKT0096	96 Tip Combs, sterile, DNase and RNase free	2 PCS/Bag, 5 Bags/Box, 10 Boxes/Case

Technical Drawing - DKT0008



(Unit: mm)

SHAOXING GENFOLLOWER BIOTECH CO.,LTD.

Add: Eastern industrial park, Baiguan street, Shangyu district, Shaoxing city, Zhejiang province, China

Email: GenFollower@Genfollower.com

Web: www.GenFollower.com

Fax: +86-575-82032762

Tel: +86-575-82936953

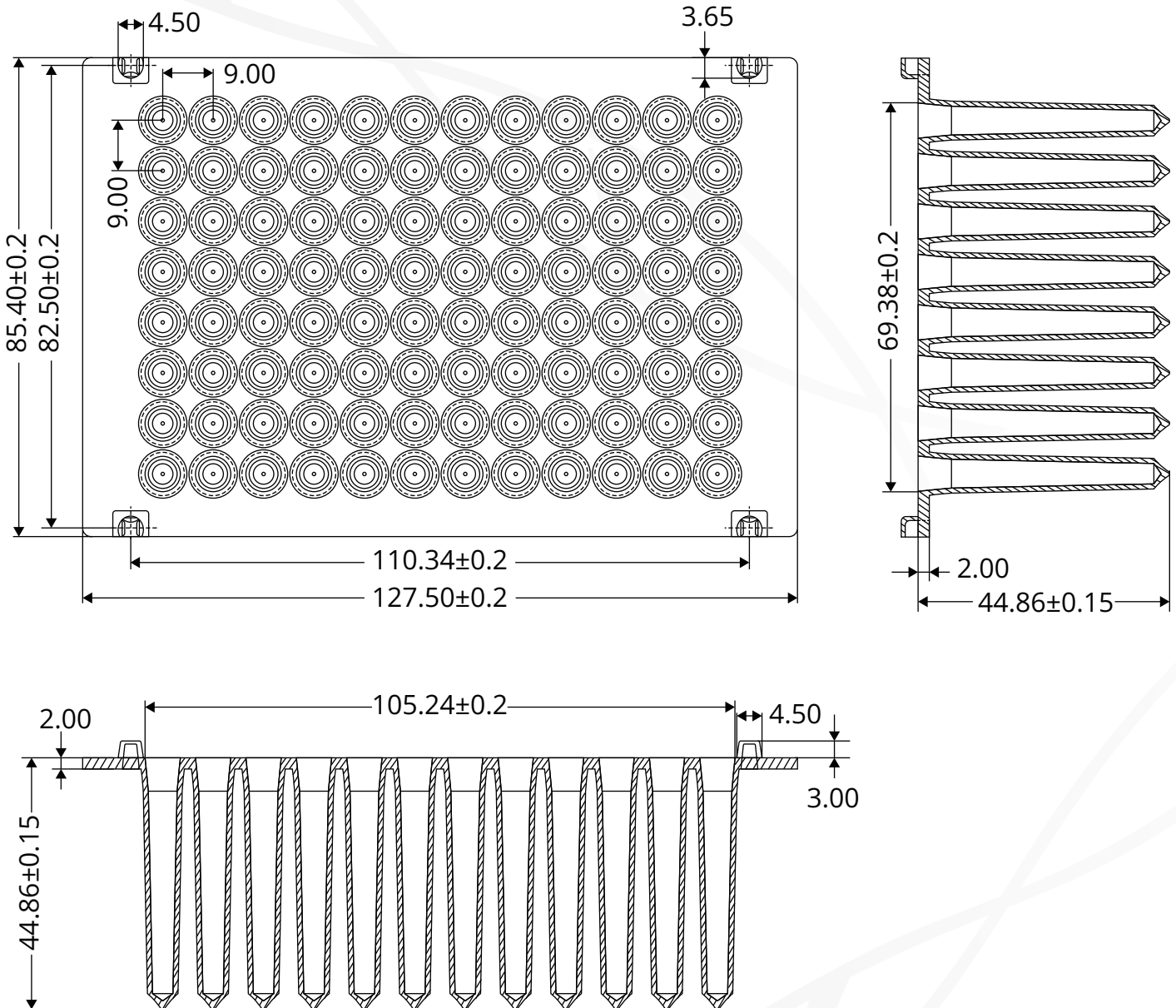
GenFollower[®]

DATA SHEET

Tip Combs for Deep Well Plates

ISO 9001

Technical Drawing - DKT0096



(Unit: mm)

SHAOXING GENFOLLOWER BIOTECH CO.,LTD.

Add: Eastern industrial park, Baiguan street, Shangyu district, Shaoxing city, Zhejiang province, China

Email: GenFollower@Genfollower.com

Web: www.GenFollower.com

Fax: +86-575-82032762

Tel: +86-575-82936953

GenFollower®