

DATA SHEET

Screw cap culture tubes

ISO 9001

Features

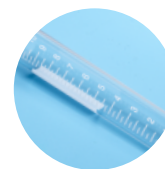


Screw cap effectively eliminates the risk of liquid splashing during use.

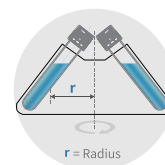


The culture tubes have a large white writing area, making it easy to mark them.

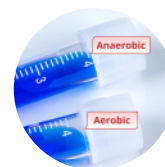
The tubes have clear scales that are easy to read, ensuring accurate measurements.



After centrifuge use, the lid does not protrude.



These tubes are suitable for both aerobic and anaerobic cultures.



Raw Material

The tube is made of medical polypropylene material or high optical transparency polystyrene material.

The cap is made of polyethylene terephthalate (PET).

Application

Screw cap culture tubes are commonly used in microbiology to cultivate bacteria under controlled laboratory conditions. The tubes are filled with a nutrient-rich medium, and scientists introduce small amounts of the desired microbes, which grow and multiply under optimal conditions. These tubes have diverse microbiological applications, including isolating and identifying microorganisms, examining bacterial growth and metabolism, and preserving microorganisms for future use.

We Open To New Ideas!



SHAOXING GENFOLLOWER BIOTECH CO.,LTD.

Add: Eastern industrial park, Baiguan street, Shangyu district, Shaoxing city, Zhejiang province, China

Email: GenFollower@Genfollower.com

Web: www.GenFollower.com

Fax: +86-575-82032762

Tel: +86-575-82936953

**GenFollower**[®]

DATA SHEET

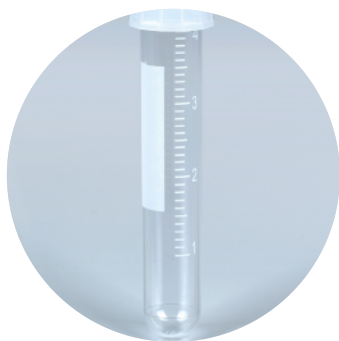
Screw cap culture tubes

ISO 9001

Product Range

Volume	Description	Packaging
STBP05	5mL Screw cap culture tubes, made of PP, sterile, DNase and RNase free	25 Tubes/Bag, 20 Bags/Case
STBS05	5mL Screw cap culture tubes, made of PS, sterile, DNase and RNase free	25 Tubes/Bag, 20 Bags/Case
STFP05	5mL Screw cap culture tubes, made of PP, sterile, DNase and RNase free	50 Tubes/Rack, 10 Racks/Case
STFS05	5mL Screw cap culture tubes, made of PS, sterile, DNase and RNase free	50 Tubes/Rack, 10 Racks/Case
STBP12	12mL Screw cap culture tubes, made of PP, sterile, DNase and RNase free	25 Tubes/Bag, 20 Bags/Case
STBS12	12mL Screw cap culture tubes, made of PS, sterile, DNase and RNase free	25 Tubes/Bag, 20 Bags/Case
STFP12	12mL Screw cap culture tubes, made of PP, sterile, DNase and RNase free	50 Tubes/Rack, 10 Racks/Case
STFS12	12mL Screw cap culture tubes, made of PS, sterile, DNase and RNase free	50 Tubes/Rack, 10 Racks/Case

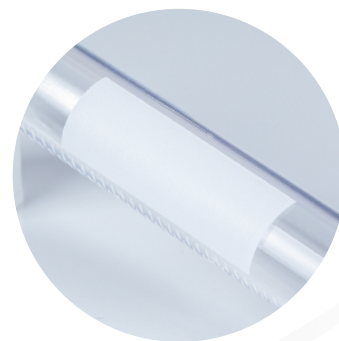
Color



Tube: Clear



Cap: White



Printing content: White

SHAOXING GENFOLLOWER BIOTECH CO.,LTD.

Add: Eastern industrial park, Baiguan street, Shangyu district, Shaoxing city, Zhejiang province, China

Email: GenFollower@Genfollower.com

Web: www.GenFollower.com

Fax: +86-575-82032762

Tel: +86-575-82936953

 GenFollower®

DATA SHEET

Screw cap culture tubes

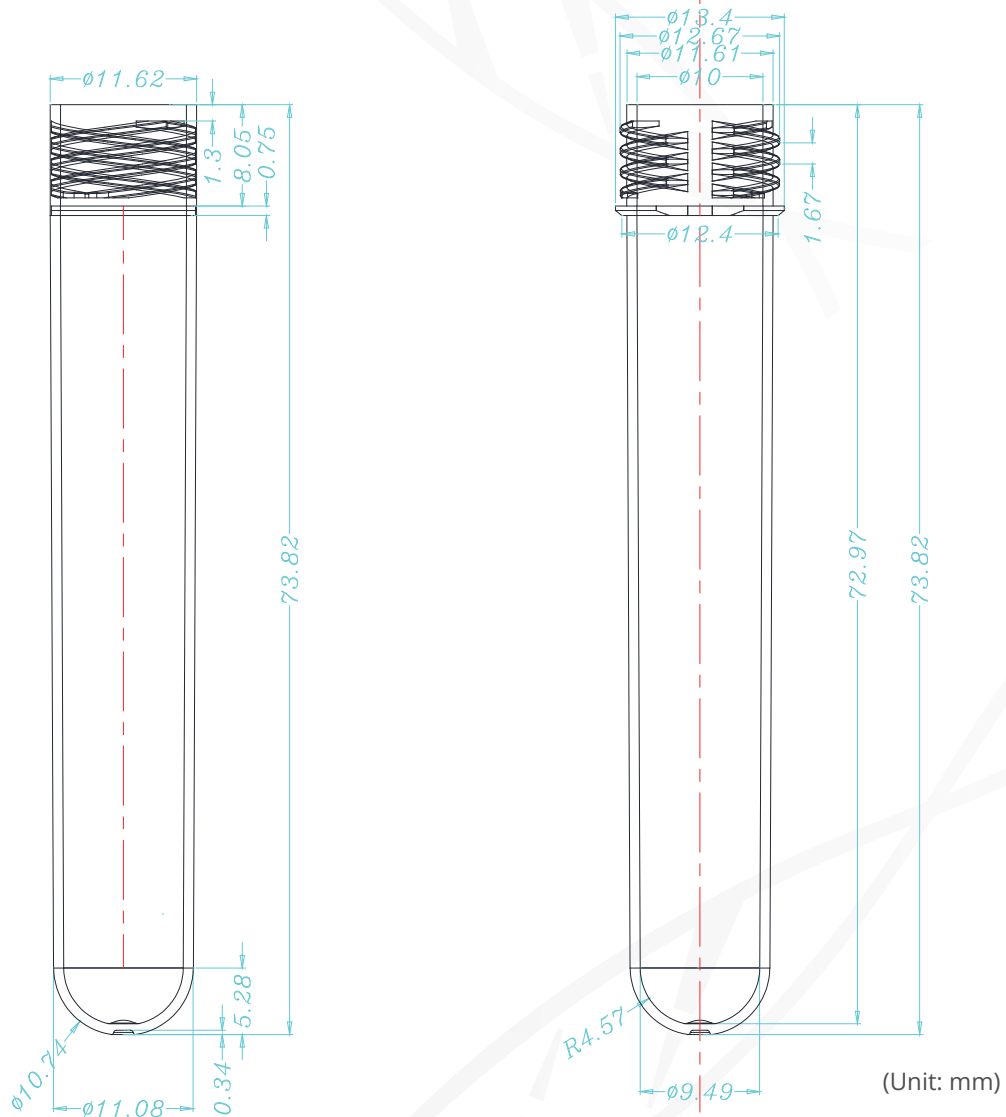
ISO 9001

Technical Drawing - STBP05

-CAP-



-TUBE-



SHAOXING GENFOLLOWER BIOTECH CO.,LTD.

Add: Eastern industrial park, Baiguan street, Shangyu district, Shaoxing city, Zhejiang province, China

Email: GenFollower@Genfollower.com

Web: www.GenFollower.com

Fax: +86-575-82032762

Tel: +86-575-82936953

DATA SHEET

Screw cap culture tubes

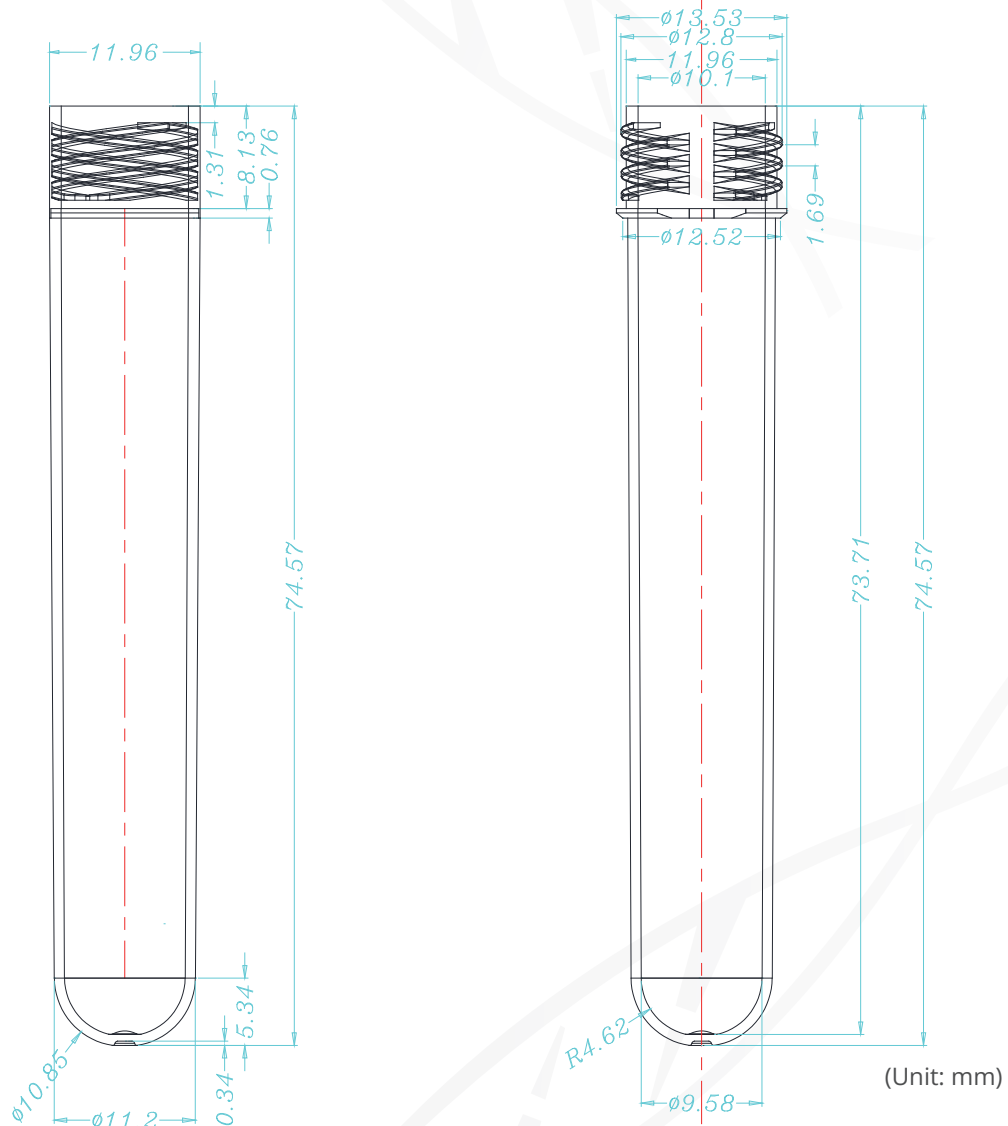
ISO 9001

Technical Drawing - STBS05

-CAP-



-TUBE-



SHAOXING GENFOLLOWER BIOTECH CO.,LTD.

Add: Eastern industrial park, Baiguan street, Shangyu district, Shaoxing city, Zhejiang province, China

Email: GenFollower@Genfollower.com

Web: www.GenFollower.com

Fax: +86-575-82032762

Tel: +86-575-82936953

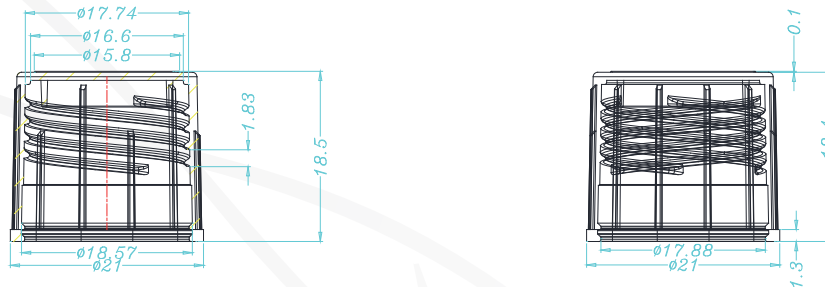
DATA SHEET

Screw cap culture tubes

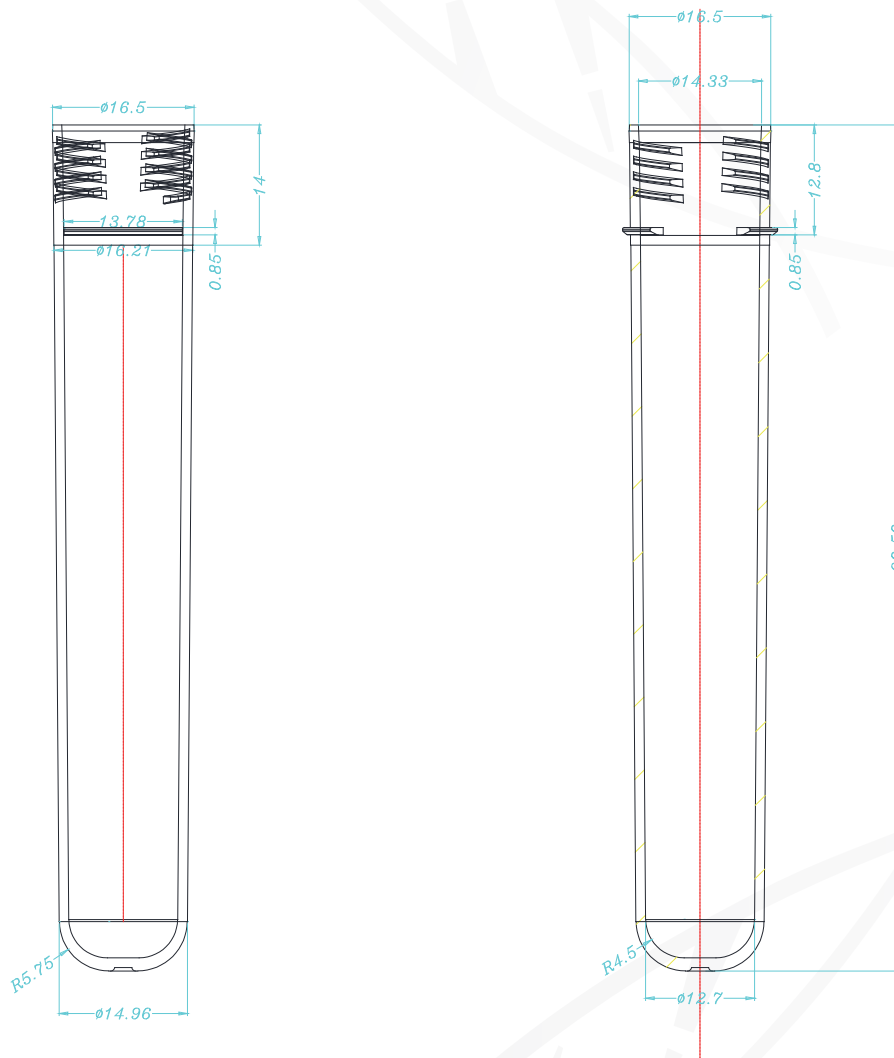
ISO 9001

Technical Drawing - STBP12

-CAP-



-TUBE-



(Unit: mm)

SHAOXING GENFOLLOWER BIOTECH CO.,LTD.

Add: Eastern industrial park, Baiguan street, Shangyu district, Shaoxing city, Zhejiang province, China

Email: GenFollower@Genfollower.com

Web: www.GenFollower.com

Fax: +86-575-82032762

Tel: +86-575-82936953


GenFollower®

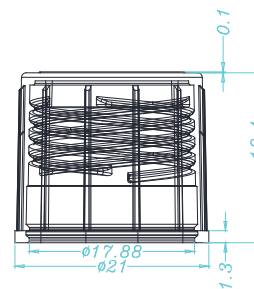
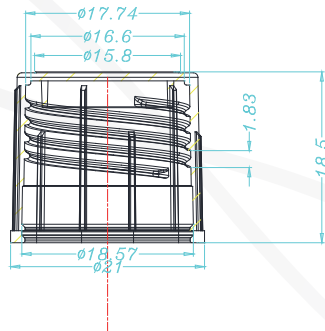
DATA SHEET

Screw cap culture tubes

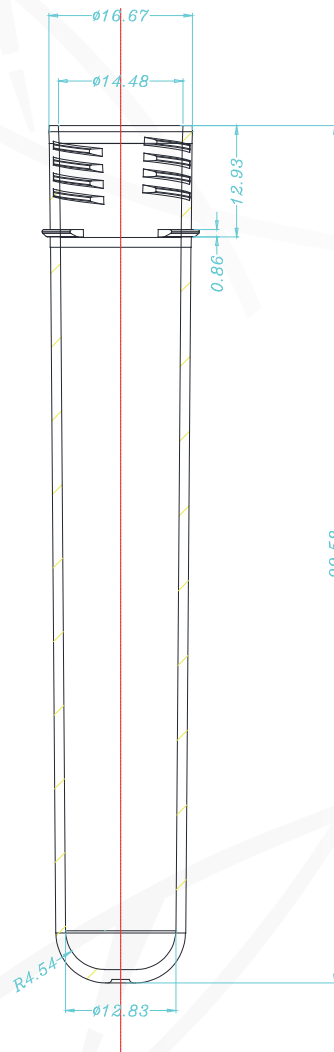
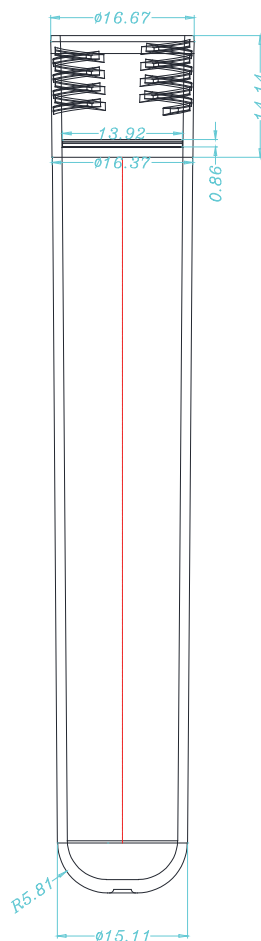
ISO 9001

Technical Drawing - STBS12

-CAP-



-TUBE-



(Unit: mm)

SHAOXING GENFOLLOWER BIOTECH CO.,LTD.

Add: Eastern industrial park, Baiguan street, Shangyu district, Shaoxing city, Zhejiang province, China

Email: GenFollower@Genfollower.com

Web: www.GenFollower.com

Fax: +86-575-82032762

Tel: +86-575-82936953