

DATA SHEET

Spin Columns

ISO 9001

Features



We use virgin polypropylene to make spin columns. It is an exceptionally chemical-resistant material.



0.8mL purification spin column with 2.0mL collection tubes.

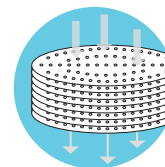
Frosted surface on the top is easy to mark.



Different number of layers allow you to perform various biological applications.



The pore size of the Silica membrane is 0.7 μ m.



Raw Material

The tube is manufactured of virgin Polypropylene (PP) using diamond polished molds.

The membrane: Silica.

Application

Spin columns allow commercial DNA extraction in molecular biology laboratories. They comprise a silica resin that selectively binds DNA or RNA depending on the factors involved in the extraction method. As a result, you are left with high-quality material for cloning and long-range sequencing.

We Open To New Ideas!



SHAOXING GENFOLLOWER BIOTECH CO.,LTD.

Add: Eastern industrial park, Baiguan street, Shangyu district, Shaoxing city, Zhejiang province, China

Email: GenFollower@Genfollower.com

Web: www.GenFollower.com

Fax: +86-575-82032762

Tel: +86-575-82936953

**GenFollower**[®]

DATA SHEET

Spin Columns

ISO 9001

Product Range

Volume	Description	Packaging
CS40004	Silicon filter Spin Columns, 4 levels, Nature, sterile, RNase and DNase free	100 PCS/Bag, 10 Bags/Case
CS60006	Silicon filter Spin Columns, 6 levels, Nature, sterile, RNase and DNase free	100 PCS/Bag, 10 Bags/Case
CS80008	Silicon filter Spin Columns, 8 levels, Nature, sterile, RNase and DNase free	100 PCS/Bag, 10 Bags/Case

Color



Tube: Clear



Silica membrane: White

SHAOXING GENFOLLOWER BIOTECH CO.,LTD.

Add: Eastern industrial park, Baiguan street, Shangyu district, Shaoxing city, Zhejiang province, China

Email: GenFollower@Genfollower.com

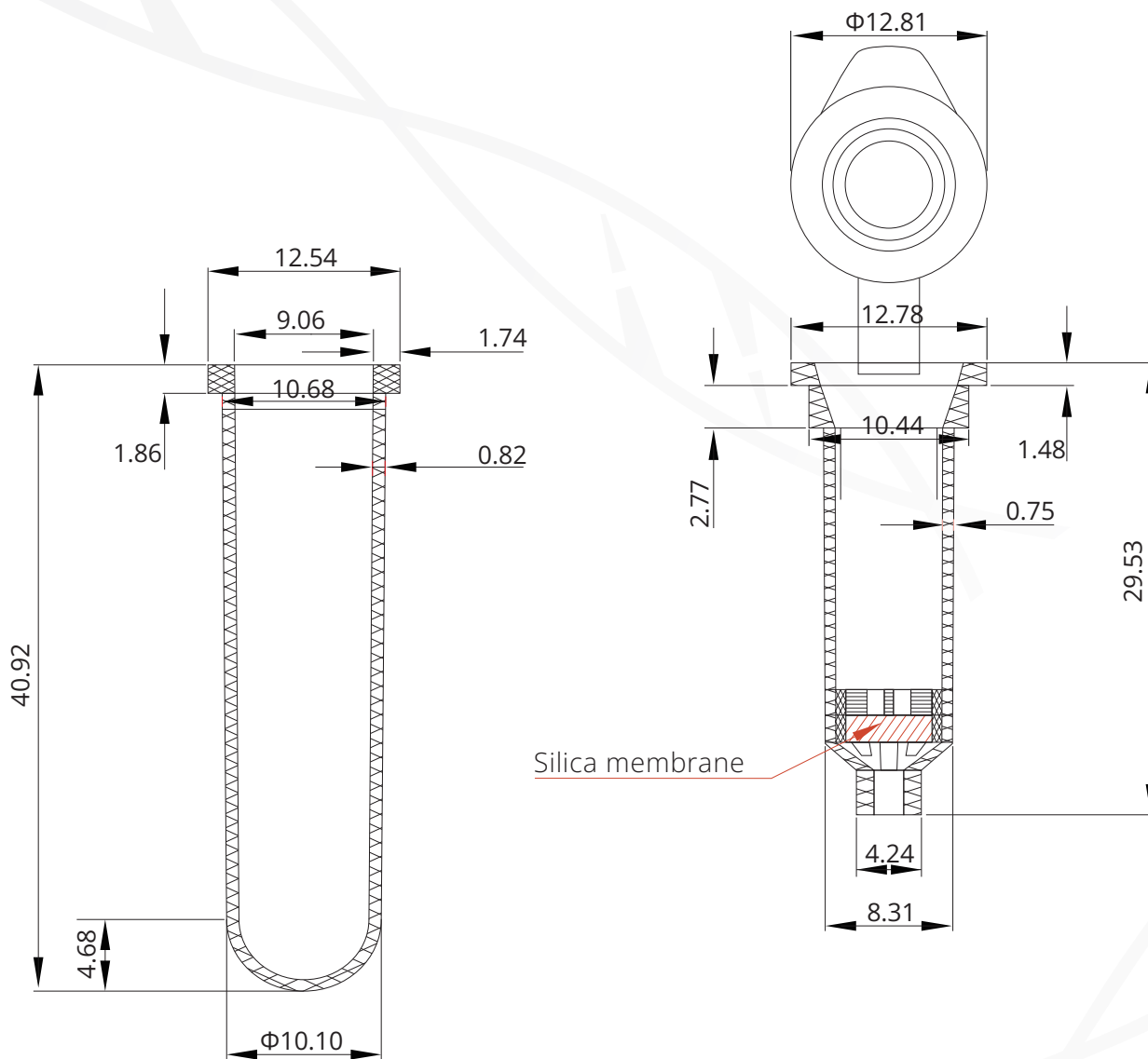
Web: www.GenFollower.com

Fax: +86-575-82032762

Tel: +86-575-82936953

**GenFollower**[®]

Technical Drawing - CS60006



(Unit: mm)

SHAOXING GENFOLLOWER BIOTECH CO.,LTD.

Add: Eastern industrial park, Baiguan street, Shangyu district, Shaoxing city, Zhejiang province, China

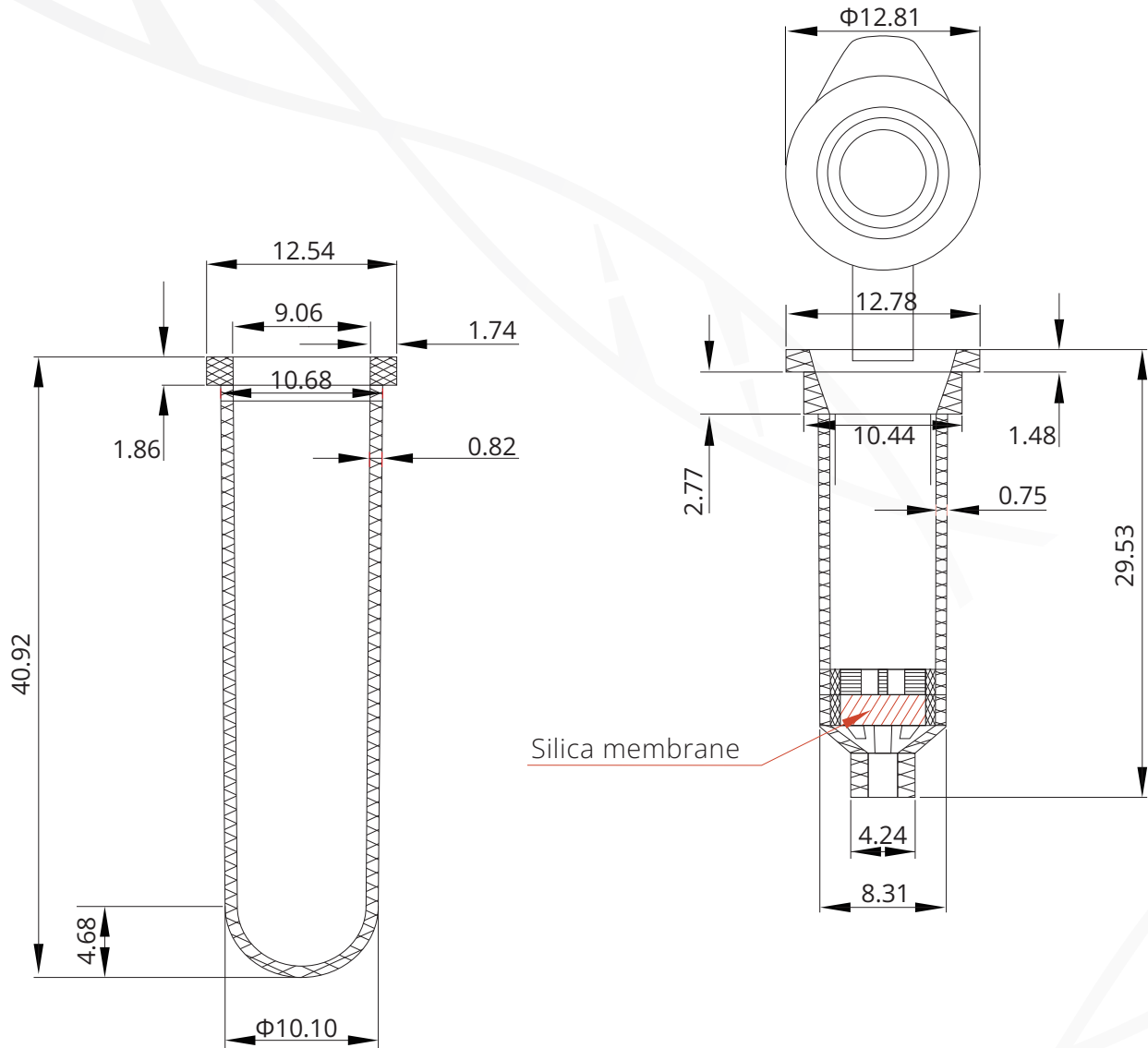
Email: GenFollower@Genfollower.com

Web: www.GenFollower.com

Fax: +86-575-82032762

Tel: +86-575-82936953

Technical Drawing - CS80008



(Unit: mm)

SHAOXING GENFOLLOWER BIOTECH CO.,LTD.

Add: Eastern industrial park, Baiguan street, Shangyu district, Shaoxing city, Zhejiang province, China

Email: GenFollower@Genfollower.com

Web: www.GenFollower.com

Fax: +86-575-82032762

Tel: +86-575-82936953