

DATA SHEET

Robotic tips for Zymark

ISO 9001

Features

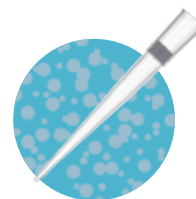


These tips are crafted from high-quality polypropylene, ensuring exceptional chemical resistance.



Compatible with Zephyr® G3 Workstations and Sciclone® G3 Workstations.

The integrated filter effectively isolates aerosols, preventing cross-contamination.



They are free from Dnase, Rnase, human DNA, and pyrogens.



Raw Material

The filter tips incorporate polyethylene filters, while the tips themselves are fabricated from medical-grade polypropylene.

Application

Robotic tips are commonly utilized on pipetting stations to efficiently handle large batches of automated work. These tips are indispensable in the daily sample preparation routines of researchers and scientists. Moreover, in genomic research workflows, they play a crucial role in the automated handling of reagents and samples, ensuring precise and consistent pipetting for reliable results. Currently, these automation tips are fully compatible with Zephyr® G3 Workstations and Sciclone® G3 Workstations, enabling high-precision work.

We Open To New Ideas!



*Zymark® is a trademark of Sotax Corporation. Zephyr® and Sciclone® are trademarks of Caliper Life Science, Inc.

SHAOXING GENFOLLOWER BIOTECH CO.,LTD.

Add: Eastern industrial park, Baiguan street, Shangyu district, Shaoxing city, Zhejiang province, China

Email: GenFollower@Genfollower.com

Web: www.GenFollower.com

Fax: +86-575-82032762

Tel: +86-575-82936953

The GenFollower logo features a stylized DNA double helix in red and blue above the company name "GenFollower" in a bold, sans-serif font. A registered trademark symbol (®) is located to the upper right of the logo.

DATA SHEET

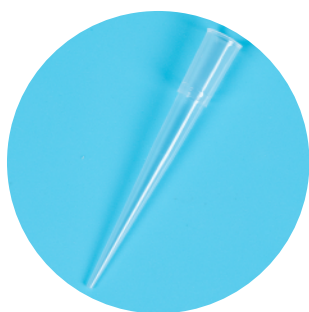
Robotic tips for Zymark

ISO 9001

Product Range

Cat.#	Description	Packaging
AT50ZM	50uL, Non-Conductive, sterile, RNase and DNase free	96 Tips/Rack, 50 Racks/Case
AFT50ZM	50uL, Non-Conductive, With Filter, sterile, RNase and DNase free	96 Tips/Rack, 50 Racks/Case
AT200ZM	200uL, Non-Conductive, sterile, RNase and DNase free	96 Tips/Rack, 50 Racks/Case
AFT200ZM	200uL, Non-Conductive, With Filter, sterile, RNase and DNase free	96 Tips/Rack, 50 Racks/Case

Color



Non-Conductive tips: Clear



Filter: White

SHAOXING GENFOLLOWER BIOTECH CO.,LTD.

Add: Eastern industrial park, Baiguan street, Shangyu district,
Shaoxing city, Zhejiang province, China

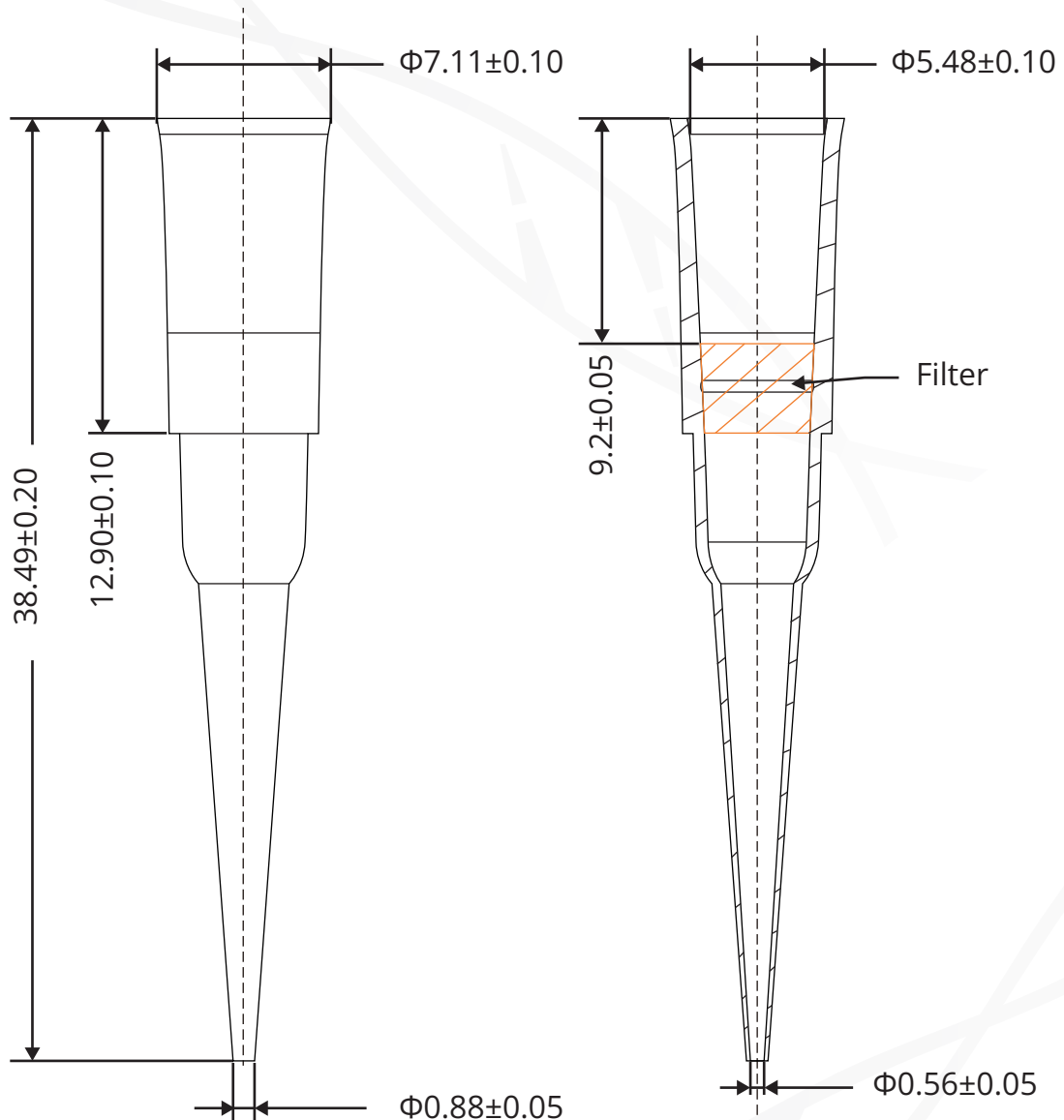
Email: GenFollower@Genfollower.com

Web: www.GenFollower.com

Fax: +86-575-82032762

Tel: +86-575-82936953

Technical Drawing - 50 μ L



(Unit: mm)

SHAOXING GENFOLLOWER BIOTECH CO.,LTD.

Add: Eastern industrial park, Baiguan street, Shangyu district, Shaoxing city, Zhejiang province, China

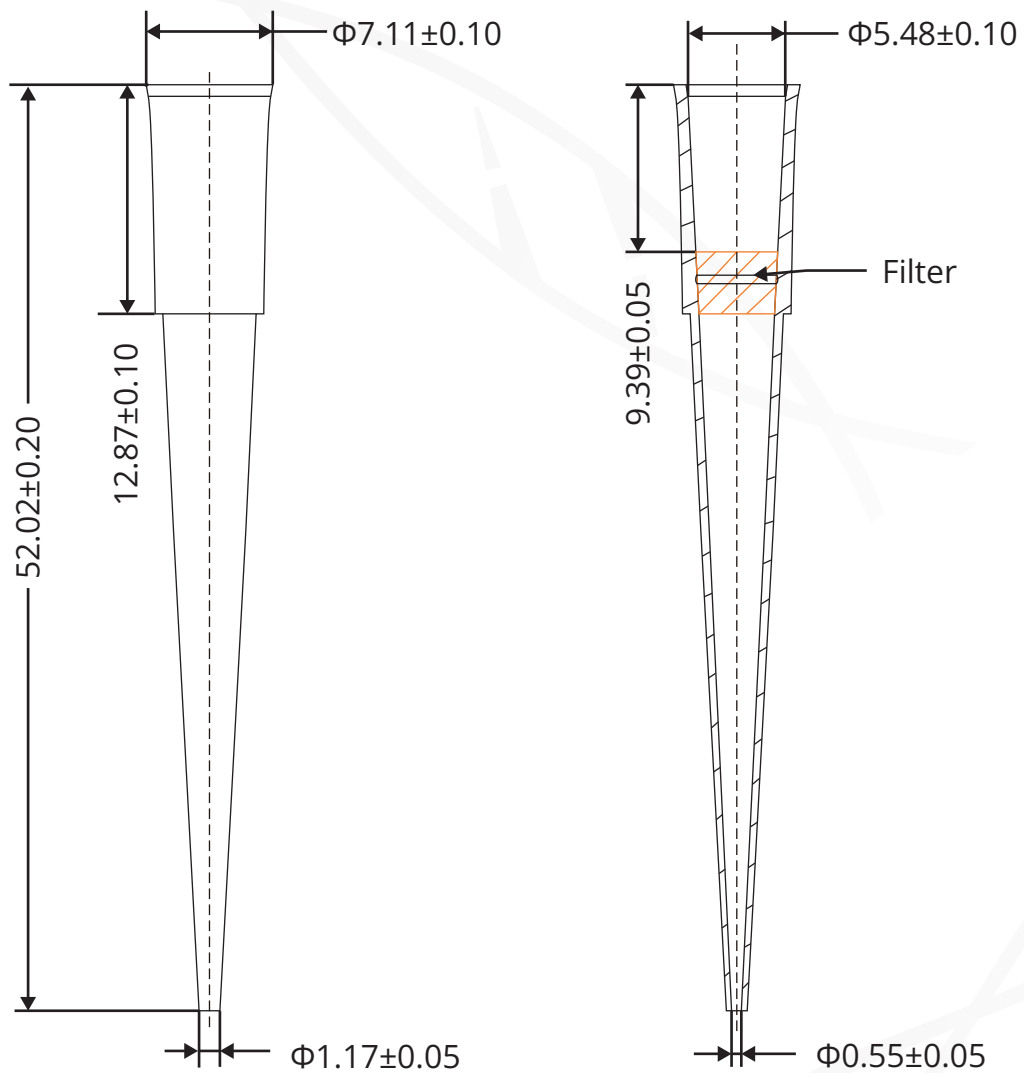
Email: GenFollower@Genfollower.com

Web: www.GenFollower.com

Fax: +86-575-82032762

Tel: +86-575-82936953

Technical Drawing - 200 μ L



(Unit: mm)

SHAOXING GENFOLLOWER BIOTECH CO.,LTD.

Add: Eastern industrial park, Baiguan street, Shangyu district, Shaoxing city, Zhejiang province, China

Email: GenFollower@Genfollower.com

Web: www.GenFollower.com

Fax: +86-575-82032762

Tel: +86-575-82936953