

DATA SHEET

Robotic tips for Opentrons

ISO 9001

Features

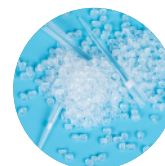


Designed to integrate with the Opentrons® OT-2 Robot, delivering exceptional accuracy and precision performance.



The tips offer a wide range of volumes, catering to diverse testing requirements.

Made from high-quality polypropylene for superior chemical resistance.



Pre-sterilized and free from Dnase, Rnase and human DNA.



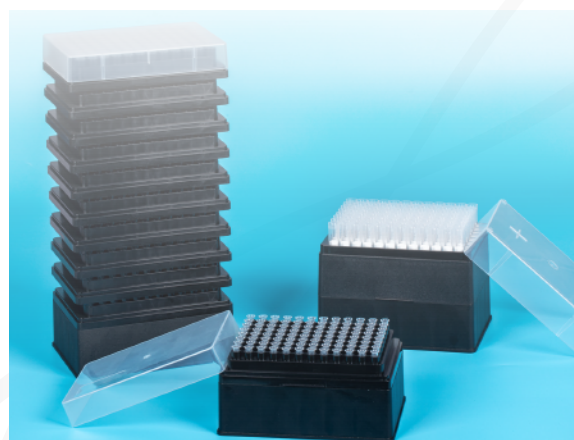
Raw Material

The tips are manufactured from medical-grade polypropylene, while the filter tips have polyethylene filters.

Application

These automation tips are designed to seamlessly work with automated liquid handling systems, allowing for precise and efficient dispensing of liquids into microwell plates or other containers. They are particularly well-suited for applications in drug discovery and development, as well as high-throughput screening. Notably, these robotic tips exhibit excellent compatibility with the Opentrons® OT-2 Robot.

We Open To New Ideas!



*Opentrons® is a trademark of Opentrons Labworks, Inc.

SHAOXING GENFOLLOWER BIOTECH CO.,LTD.

Add: Eastern industrial park, Baiguan street, Shangyu district, Shaoxing city, Zhejiang province, China

Email: GenFollower@Genfollower.com

Web: www.GenFollower.com

Fax: +86-575-82032762

Tel: +86-575-82936953

**GenFollower**®

DATA SHEET

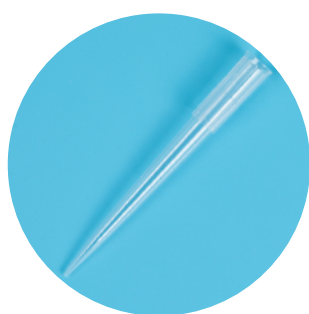
Robotic tips for Opentrons

ISO 9001

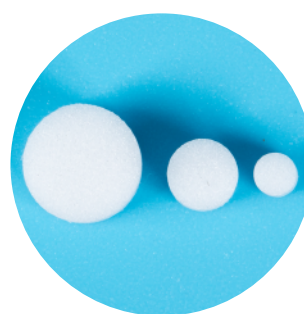
Product Range

Cat.#	Description	Packaging
AT20-OT	20uL, Non-Conductive, sterile, RNase and DNase free	96 Tips/Rack, 50 Racks/Case
AT20-OT-RS	20uL, Non-Conductive, sterile, RNase and DNase free	960 Tips/Refill Unit, 10 Units/Case
AFT20-OT	20uL, Non-Conductive, With Filter, sterile, RNase and DNase free	96 Tips/Rack, 50 Racks/Case
AFT200-OT	200uL, Non-Conductive, With Filter, sterile, RNase and DNase free	96 Tips/Rack, 50 Racks/Case
AT300-OT	300uL, Non-Conductive, sterile, RNase and DNase free	96 Tips/Rack, 50 Racks/Case
AT300-OT-RS	300uL, Non-Conductive, sterile, RNase and DNase free	960 Tips/Refill Unit, 10 Units/Case
AT1000-OT	1000uL, Non-Conductive, sterile, RNase and DNase free	96 Tips/Rack, 50 Racks/Case
AT1000-OT-RS	1000uL, Non-Conductive, sterile, RNase and DNase free	480 Tips/Refill Unit, 10 Units/Case
AFT1000-OT	1000uL, Non-Conductive, With Filter, sterile, RNase and DNase free	96 Tips/Rack, 50 Racks/Case

Color



Non-Conductive tips: Clear



Filter: White

SHAOXING GENFOLLOWER BIOTECH CO.,LTD.

Add: Eastern industrial park, Baiguan street, Shangyu district, Shaoxing city, Zhejiang province, China

Email: GenFollower@Genfollower.com

Web: www.GenFollower.com

Fax: +86-575-82032762

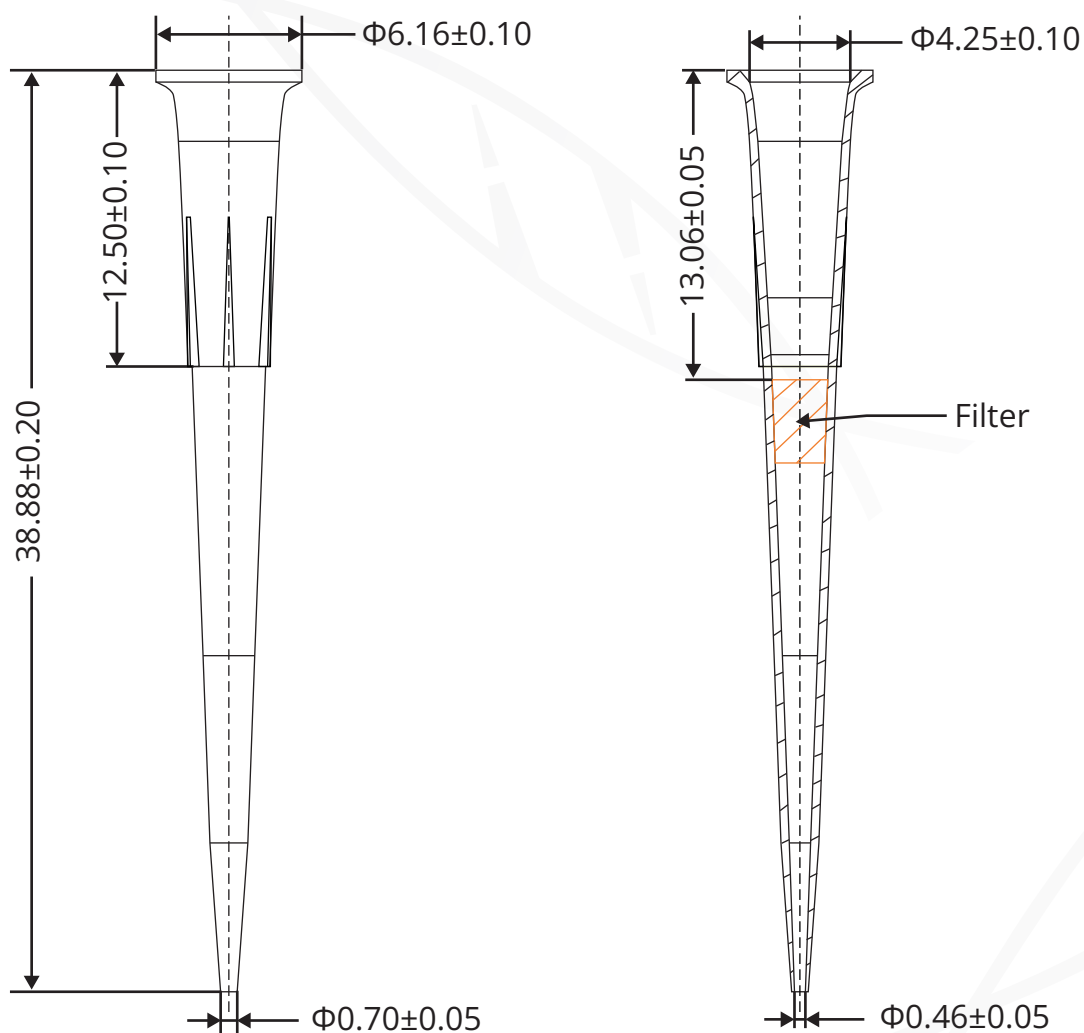
Tel: +86-575-82936953

DATA SHEET

Robotic tips for Opentrons

ISO 9001

Technical Drawing - 20 μ L



(Unit: mm)

SHAOXING GENFOLLOWER BIOTECH CO.,LTD.

Add: Eastern industrial park, Baiguan street, Shangyu district,
Shaoxing city, Zhejiang province, China

Email: GenFollower@Genfollower.com

Web: www.GenFollower.com

Fax: +86-575-82032762

Tel: +86-575-82936953

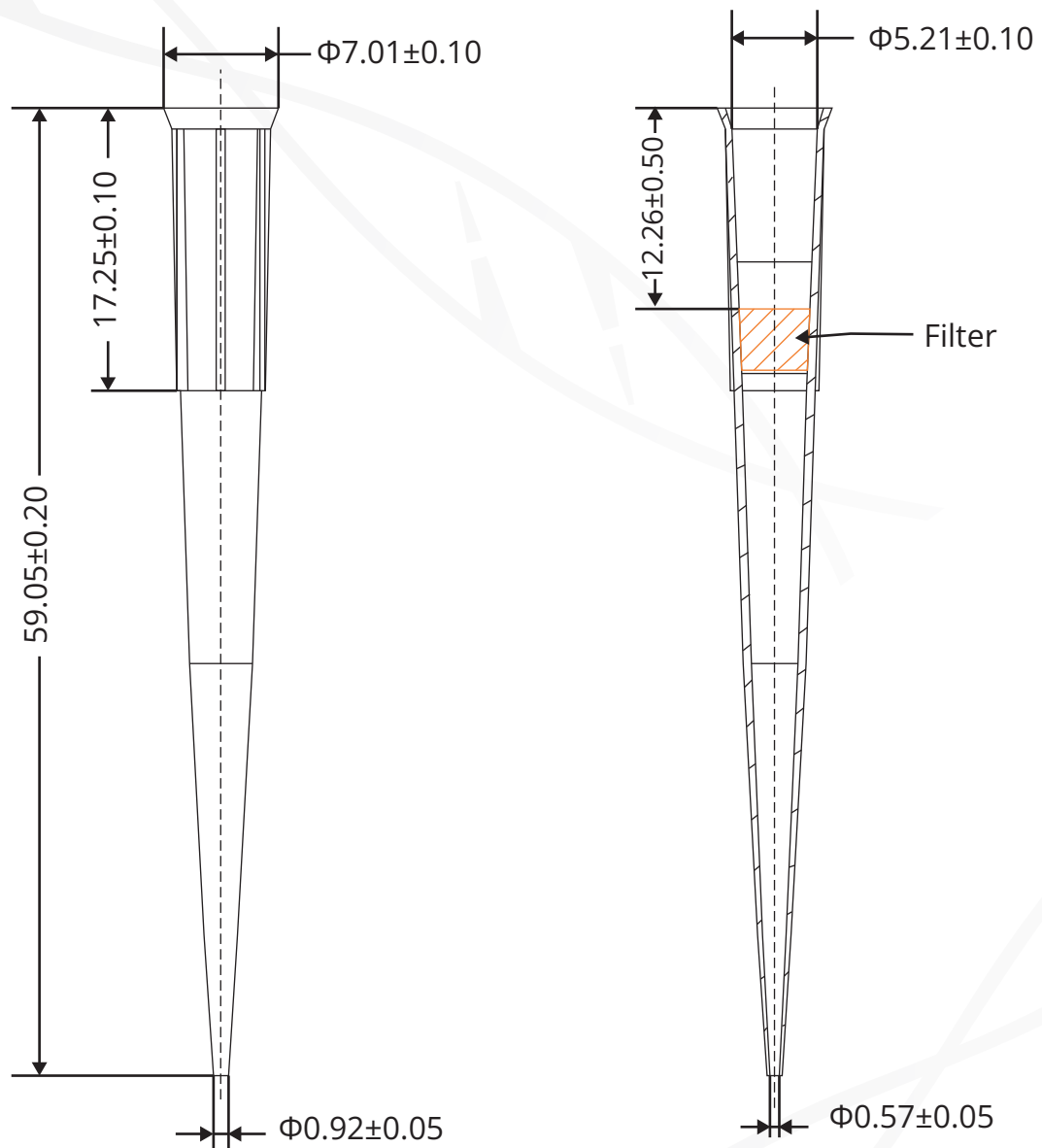
 GenFollower[®]

DATA SHEET

Robotic tips for Opentrons

ISO 9001

Technical Drawing - 200 μ L



(Unit: mm)

SHAOXING GENFOLLOWER BIOTECH CO.,LTD.

Add: Eastern industrial park, Baiguan street, Shangyu district, Shaoxing city, Zhejiang province, China

Email: GenFollower@Genfollower.com

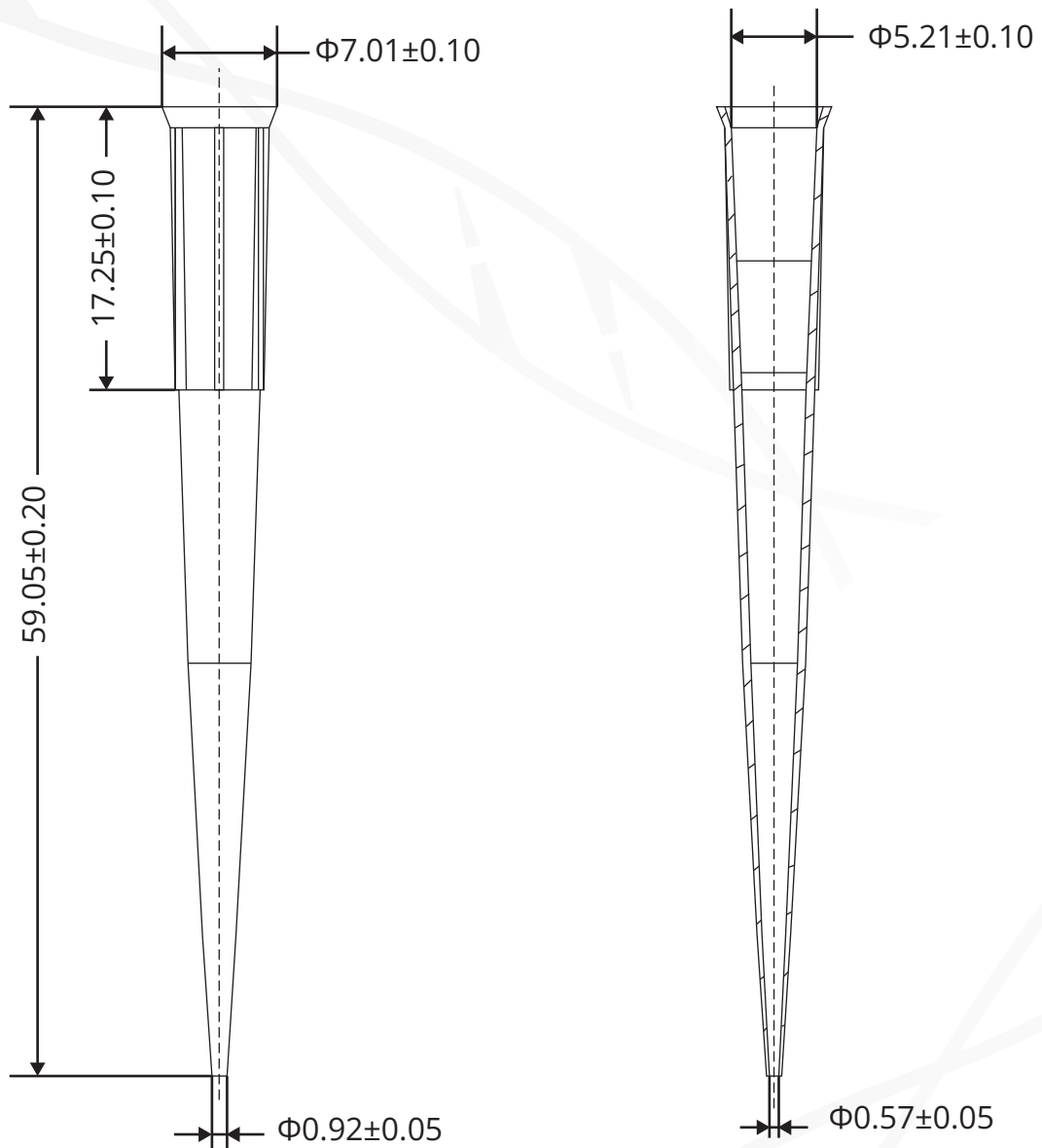
Web: www.GenFollower.com

Fax: +86-575-82032762

Tel: +86-575-82936953


GenFollower[®]

 **Technical Drawing - 300 μ L**



(Unit: mm)

SHAOXING GENFOLLOWER BIOTECH CO.,LTD.

Add: Eastern industrial park, Baiguan street, Shangyu district,
Shaoxing city, Zhejiang province, China

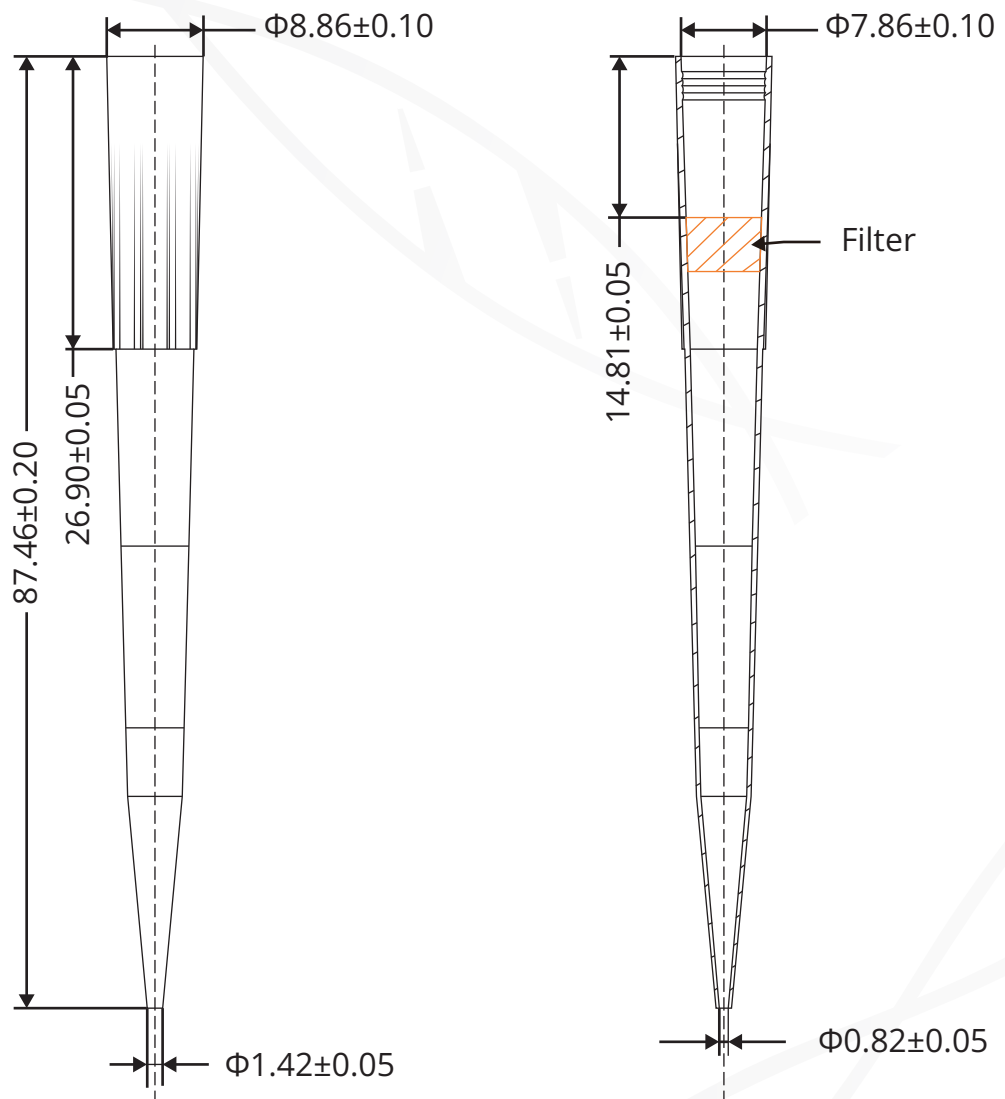
Email: GenFollower@Genfollower.com

Web: www.GenFollower.com

Fax: +86-575-82032762

Tel: +86-575-82936953

Technical Drawing - 1000 μ L



(Unit: mm)

SHAOXING GENFOLLOWER BIOTECH CO.,LTD.

Add: Eastern industrial park, Baiguan street, Shangyu district, Shaoxing city, Zhejiang province, China

Email: GenFollower@Genfollower.com

Web: www.GenFollower.com

Fax: +86-575-82032762

Tel: +86-575-82936953