

DATA SHEET

Reagent Reservoirs

ISO 9001

Features



The special four-corner design is conducive to guiding the flow of liquids, making it easy to pour any remaining liquid back and thus enhancing the recovery rate.

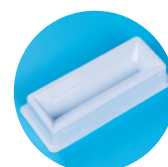


The V-shaped bottom offers improved convenience during pipetting.

Inner wall graduation marks swiftly confirm the remaining liquid volume.



Thicker walls provide improved stability and durability when conducting reagent transfers.



Raw Material

These products are manufactured from PVC.

Application

Reagent reservoirs serve as containers designed for the convenient accessibility of reagents using pipettes or other transfer tools. These reservoirs play a pivotal role in achieving precise liquid dispensing. They find extensive utility in various scenarios, including tasks involving liquid distribution, high-throughput assays, and the execution of serial dilutions.

We Open To New Ideas!



SHAOXING GENFOLLOWER BIOTECH CO.,LTD.

Add: Eastern industrial park, Baiguan street, Shangyu district, Shaoxing city, Zhejiang province, China

Email: GenFollower@Genfollower.com

Web: www.GenFollower.com

Fax: +86-575-82032762

Tel: +86-575-82936953

**GenFollower**[®]

DATA SHEET

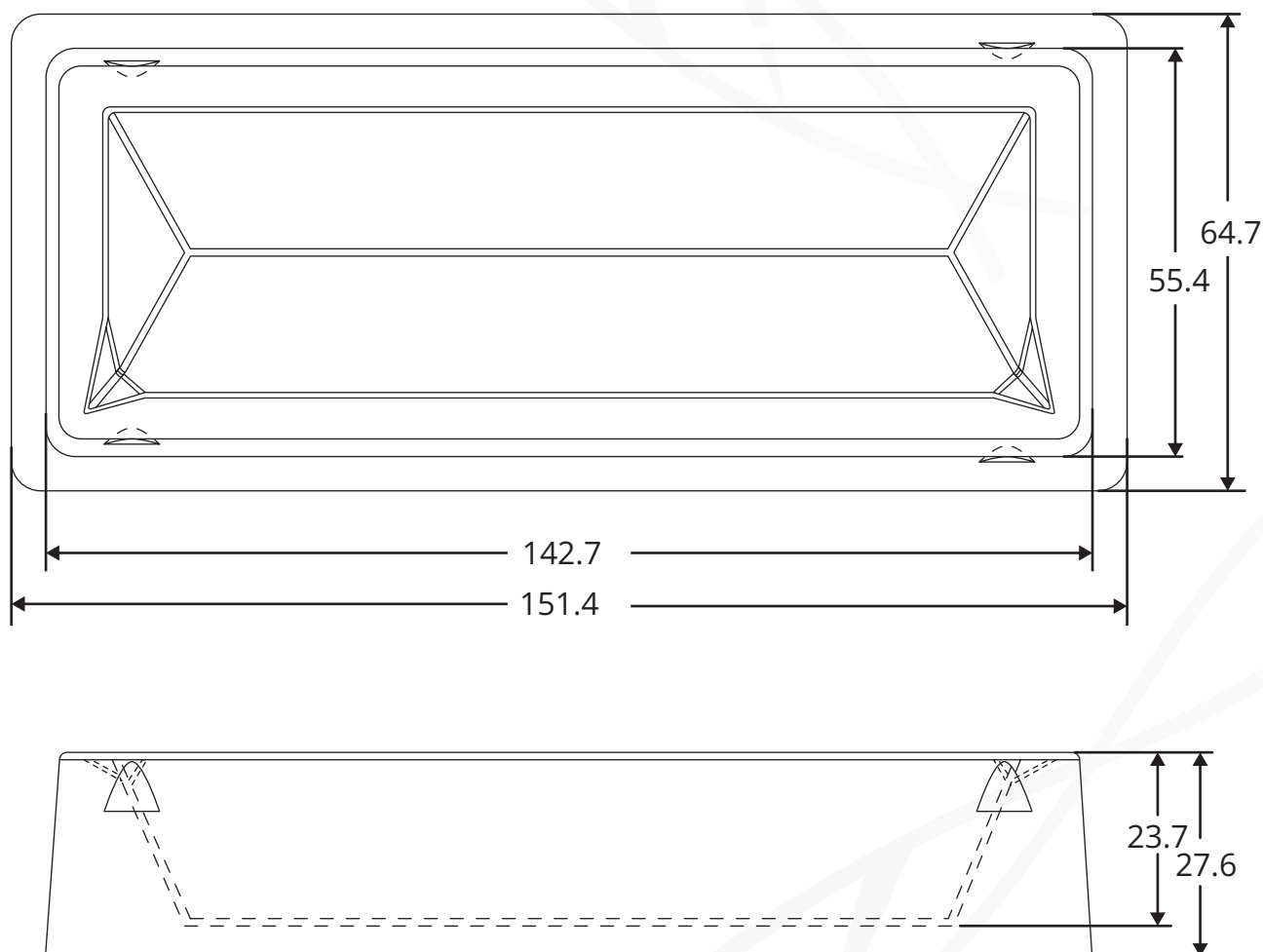
Reagent Reservoirs

ISO 9001

Product Range

CAT	Description	Packaging
RC00025	25mL Reagent Reservoirs, PVC material	100 PCS/Case

Technical Drawing - 10 μ L



(Unit: mm)

SHAOXING GENFOLLOWER BIOTECH CO.,LTD.

Add: Eastern industrial park, Baiguan street, Shangyu district, Shaoxing city, Zhejiang province, China

Email: GenFollower@Genfollower.com

Web: www.GenFollower.com

Fax: +86-575-82032762

Tel: +86-575-82936953

 GenFollower®