

# DATA SHEET

## *Racks for Tubes & Vials*

ISO 9001

### Features

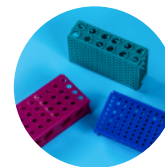


Durable and autoclavable at 121 °C.



Wells of different sizes accommodate multiple tube sizes.

Offered in a range of colours to facilitate simple sample organization.



Pre-assembled and ready for immediate use.



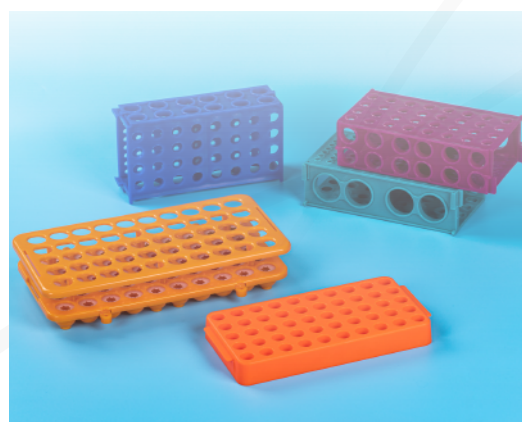
### Raw Material

These products are crafted from polycarbonate (PC).

### Application

Tube racks are employed as holders and organizers for tubes of varying sizes, primarily designed to offer a practical and structured method for storing and manipulating tubes during experiments and analyses. Their applications encompass tasks such as sample arrangement, transportation, and sample manipulation, among others.

**We Open To New Ideas!**



## SHAOXING GENFOLLOWER BIOTECH CO.,LTD.

**Add:** Eastern industrial park, Baiguan street, Shangyu district, Shaoxing city, Zhejiang province, China

**Email:** GenFollower@Genfollower.com

**Web:** www.GenFollower.com

**Fax:** +86-575-82032762

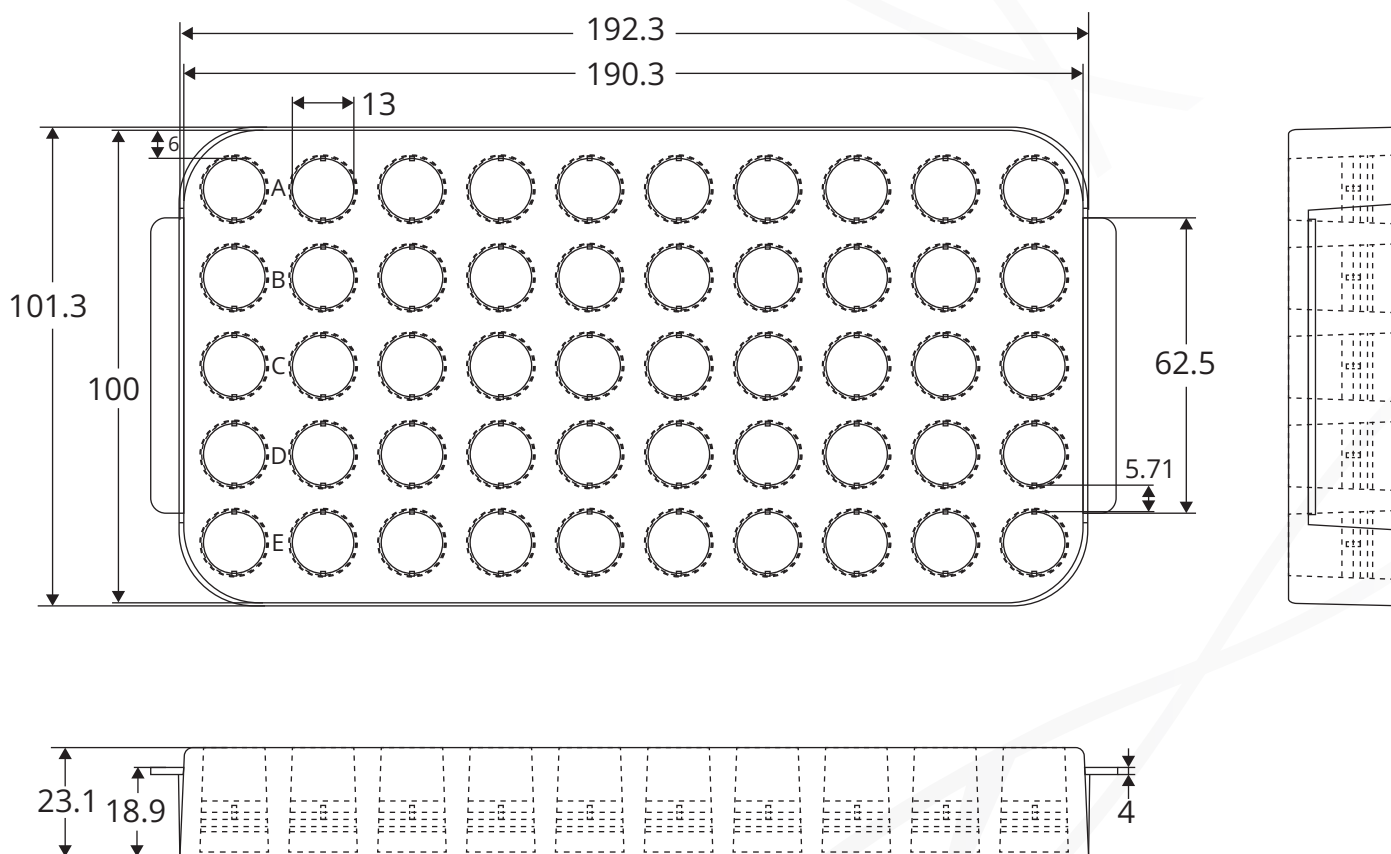
**Tel:** +86-575-82936953

  
**GenFollower**<sup>®</sup>

## Product Range

CAT	Description	Packaging
RMCT2	Racks for microcentrifuge tubes 1.5mL or 2.0mL, 50 well	50 PCS/Case
RMCT15	Racks for microcentrifuge tubes 15mL or 5.0mL, 50 well	50 PCS/Case
RTM0001	0.2mL/2.0mL/15mL/50mL Rack for microcentrifuge tube, 96/32/12/4 wells, Green/Blue/Purple	50 PCS/Case

## Technical Drawing - RMCT2



(Unit: mm)

## SHAOXING GENFOLLOWER BIOTECH CO.,LTD.

**Add:** Eastern industrial park, Baiguan street, Shangyu district, Shaoxing city, Zhejiang province, China

**Email:** GenFollower@Genfollower.com

**Web:** www.GenFollower.com

**Fax:** +86-575-82032762

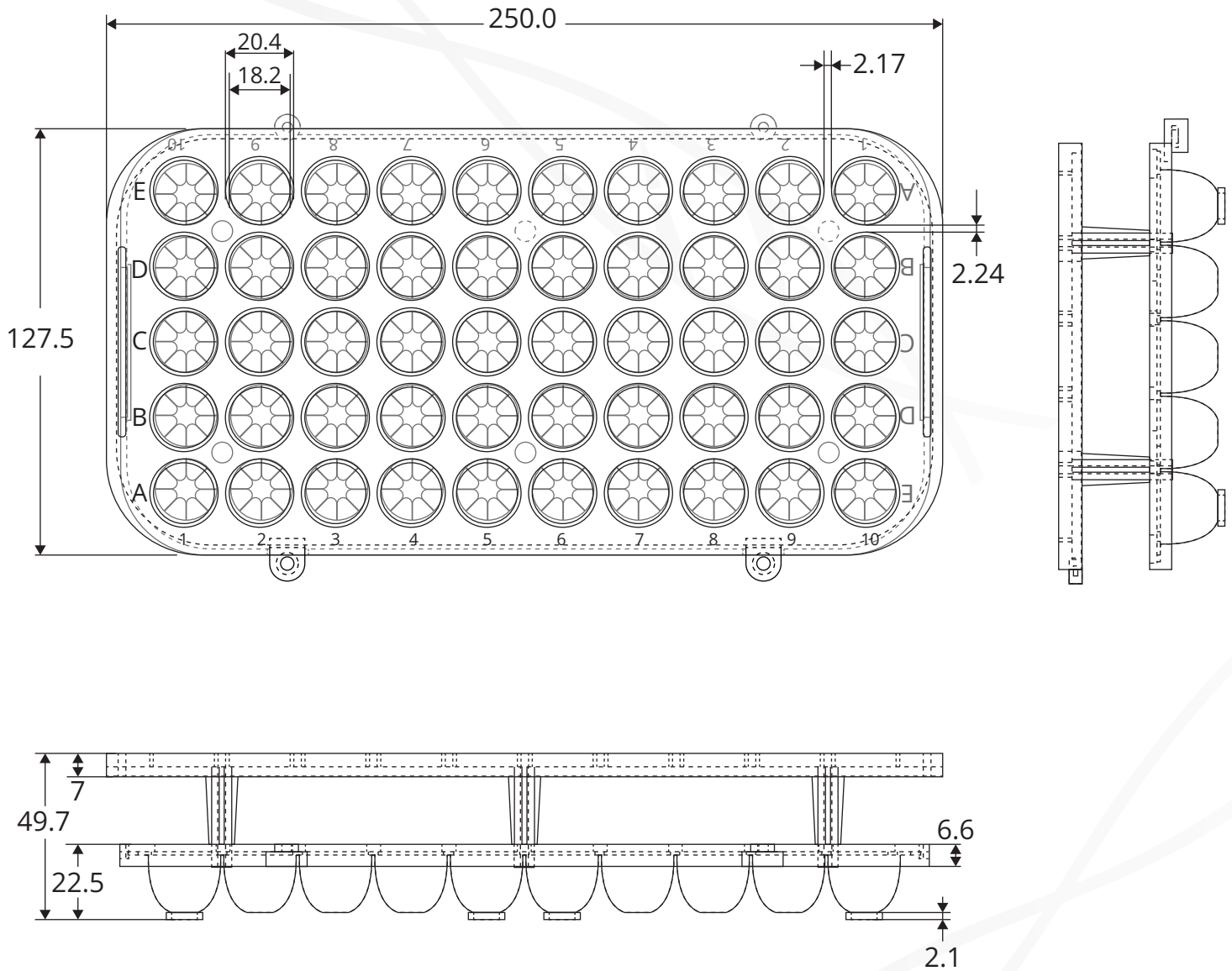
**Tel:** +86-575-82936953

# DATA SHEET

Racks for Tubes & Vials

ISO 9001

## Technical Drawing - RMCT15



(Unit: mm)

### SHAOXING GENFOLLOWER BIOTECH CO.,LTD.

**Add:** Eastern industrial park, Baiguan street, Shangyu district, Shaoxing city, Zhejiang province, China

**Email:** GenFollower@Genfollower.com

**Web:** www.GenFollower.com

**Fax:** +86-575-82032762

**Tel:** +86-575-82936953

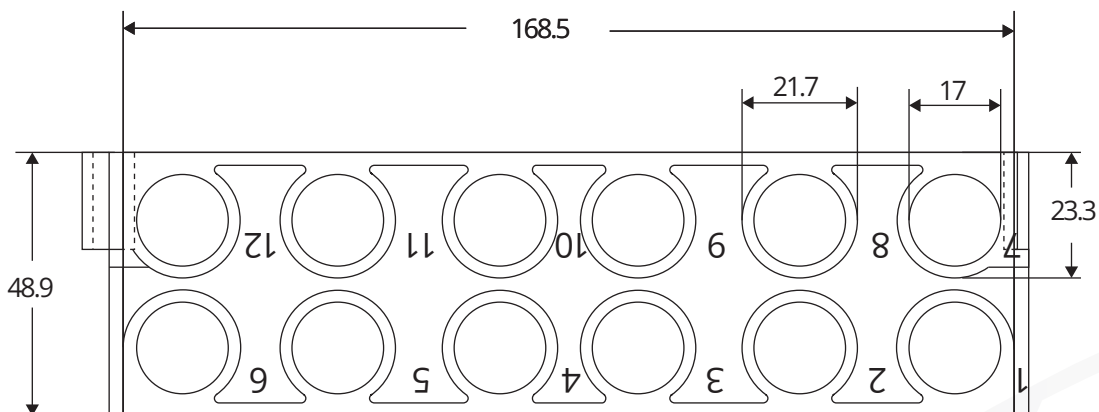
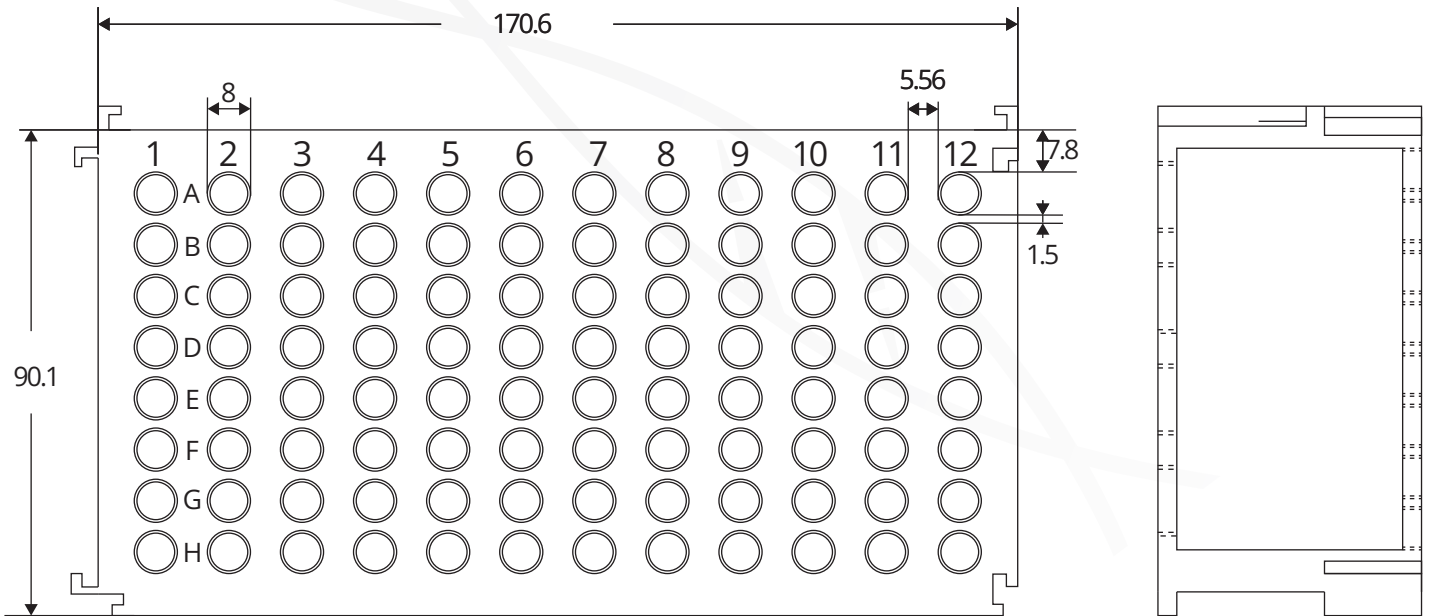
 GenFollower®

# DATA SHEET

*Racks for Tubes & Vials*

ISO 9001

 **Technical Drawing - RTM0001**



**Front surface of the plate**

(Unit: mm)

**SHAOXING GENFOLLOWER BIOTECH CO.,LTD.**

**Add:** Eastern industrial park, Baiguan street, Shangyu district, Shaoxing city, Zhejiang province, China

**Email:** GenFollower@Genfollower.com

**Web:** www.GenFollower.com

**Fax:** +86-575-82032762

**Tel:** +86-575-82936953

