

# DATA SHEET

ISO 9001

## Alternative Rainin LTS Pipette Tips

### Features

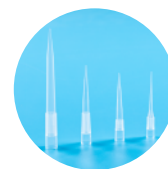


Designed to integrate with Rainin LTS™ pipettes, ensuring optimal compatibility.



Made from virgin polypropylene, these tips provide outstanding clarity, making it effortless to observe during pipetting tasks.

Available in a range of volumes, catering to diverse pipetting requirements.



Maintaining a state of sterility, free of DNase, RNase, human DNA and endotoxins.



### Raw Material

The tips are produced using polypropylene material.

### Application

These tips are exclusive crafted for Rainin LTS™ pipettes, which find widespread use in laboratory pipetting tasks. They serve a vital role across diverse scientific and research domains, encompassing molecular biology, cell culture, and other meticulous liquid handling necessities within the laboratory environment.

**We Open To New Ideas!**



Rainin and LTS™ are trademarks of METTLER TOLEDO and Company or its affiliates.

### SHAOXING GENFOLLOWER BIOTECH CO.,LTD.

**Add:** Eastern industrial park, Baiguan street, Shangyu district, Shaoxing city, Zhejiang province, China

**Email:** GenFollower@Genfollower.com

**Web:** www.GenFollower.com

**Fax:** +86-575-82032762

**Tel:** +86-575-82936953

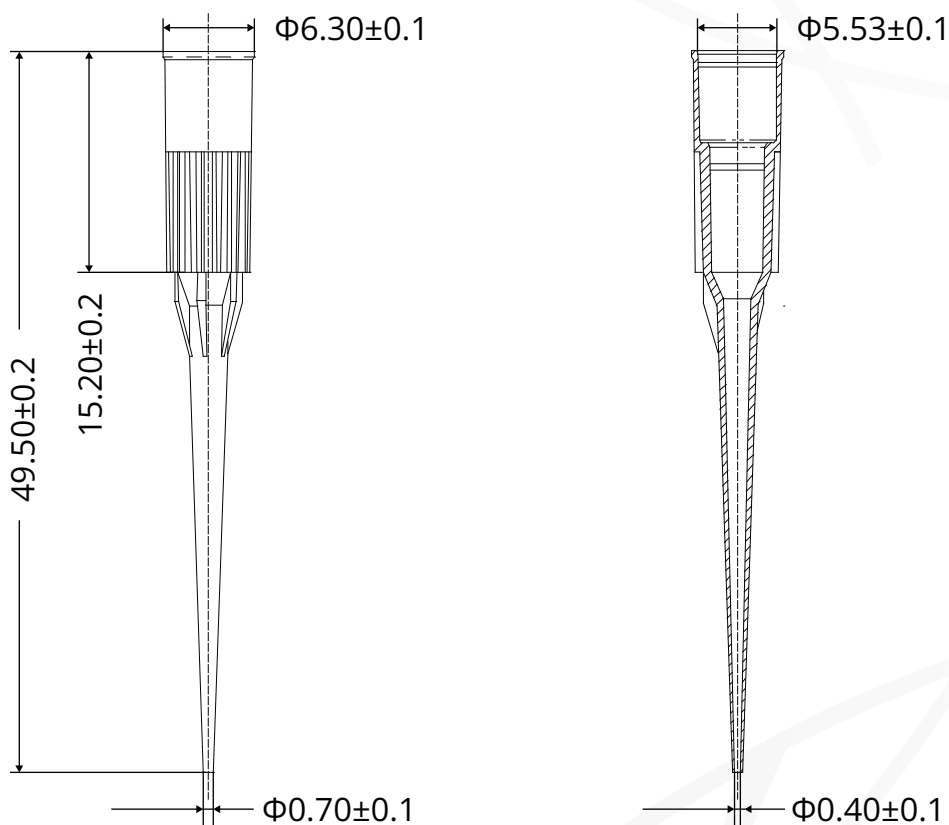
The GenFollower logo features a stylized DNA double helix in red and blue above the company name "GenFollower" in a bold, sans-serif font. A registered trademark symbol (®) is located to the upper right of the name.

## Alternative Rainin LTS Pipette Tips

### Product Range

Volume	Description	Packaging
10uL	Alternative 10uL Rainin LTS pipette tip, sterile, DNase and RNase free	Racked & Bagged
200uL	Alternative 200uL Rainin LTS pipette tip, sterile, DNase and RNase free	Racked & Bagged
300uL	Alternative 300uL Rainin LTS pipette tip, sterile, DNase and RNase free	Racked & Bagged
1000uL	Alternative 1000uL Rainin LTS pipette tip, sterile, DNase and RNase free	Racked & Bagged

### Technical Drawing - 10µL



(Unit: mm)

### SHAOXING GENFOLLOWER BIOTECH CO.,LTD.

**Add:** Eastern industrial park, Baiguan street, Shangyu district, Shaoxing city, Zhejiang province, China

**Email:** GenFollower@Genfollower.com

**Web:** www.GenFollower.com

**Fax:** +86-575-82032762

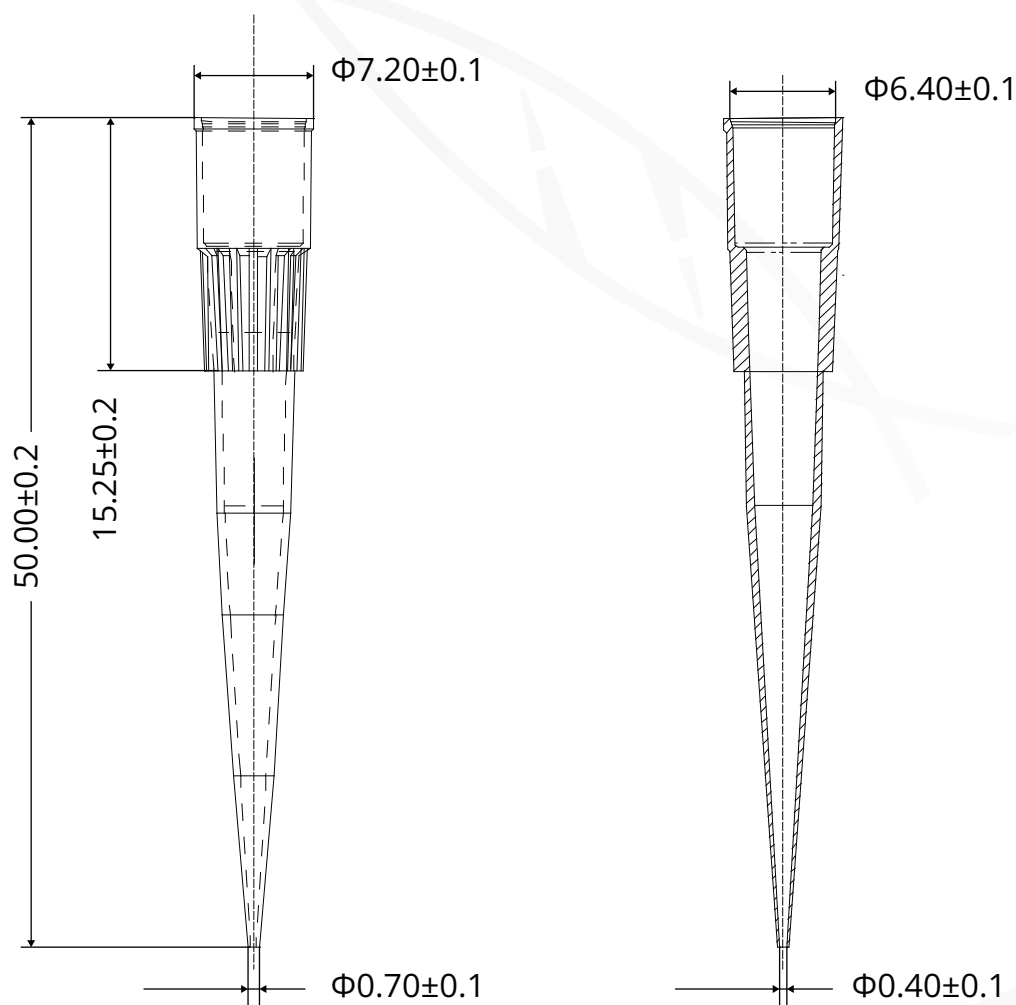
**Tel:** +86-575-82936953

# DATA SHEET

ISO 9001

## Alternative Rainin LTS Pipette Tips

### Technical Drawing - 200 $\mu$ L



(Unit: mm)

### SHAOXING GENFOLLOWER BIOTECH CO.,LTD.

**Add:** Eastern industrial park, Baiguan street, Shangyu district,  
Shaoxing city, Zhejiang province, China

**Email:** GenFollower@Genfollower.com

**Web:** www.GenFollower.com

**Fax:** +86-575-82032762

**Tel:** +86-575-82936953

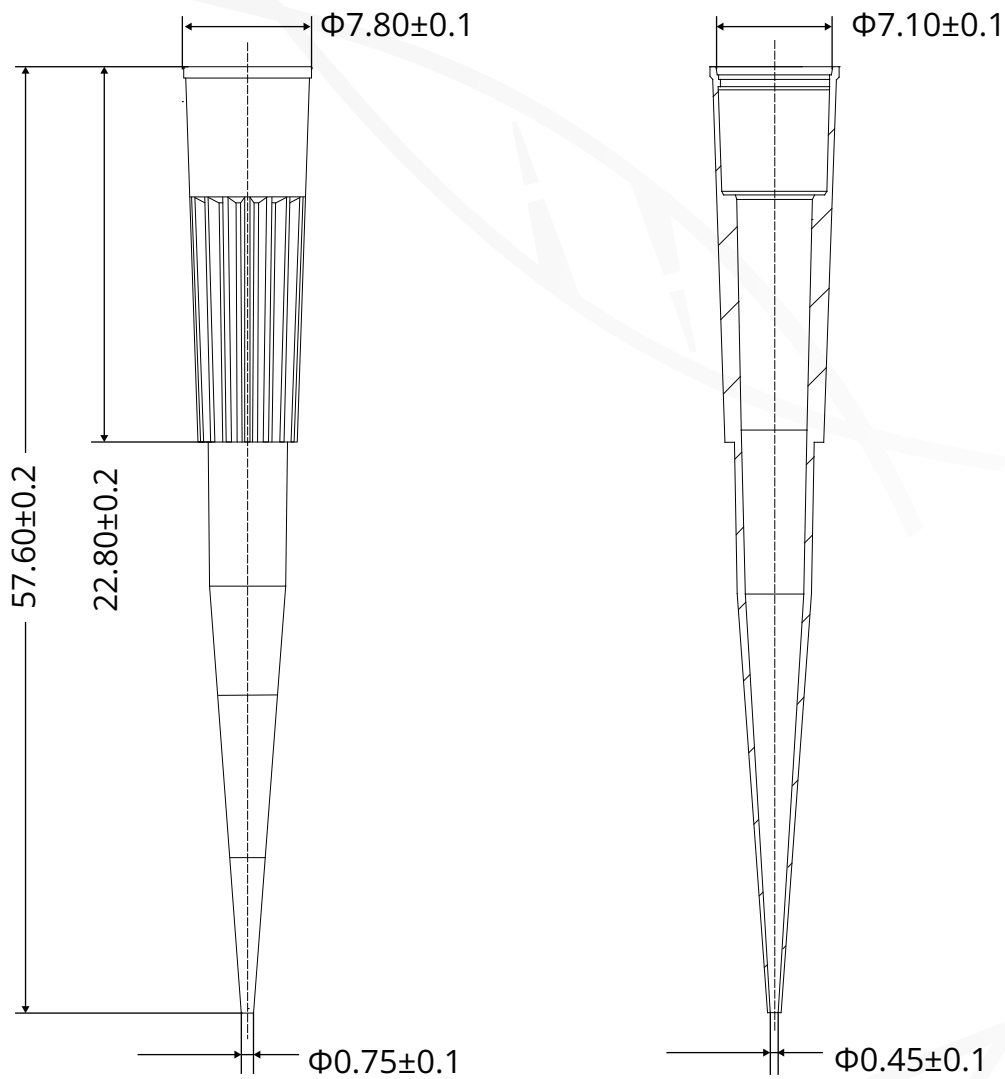
 GenFollower<sup>®</sup>

# DATA SHEET

ISO 9001

## Alternative Rainin LTS Pipette Tips

### Technical Drawing - 300 $\mu$ L



(Unit: mm)

### SHAOXING GENFOLLOWER BIOTECH CO.,LTD.

**Add:** Eastern industrial park, Baiguan street, Shangyu district, Shaoxing city, Zhejiang province, China

**Email:** GenFollower@Genfollower.com

**Web:** www.GenFollower.com

**Fax:** +86-575-82032762

**Tel:** +86-575-82936953

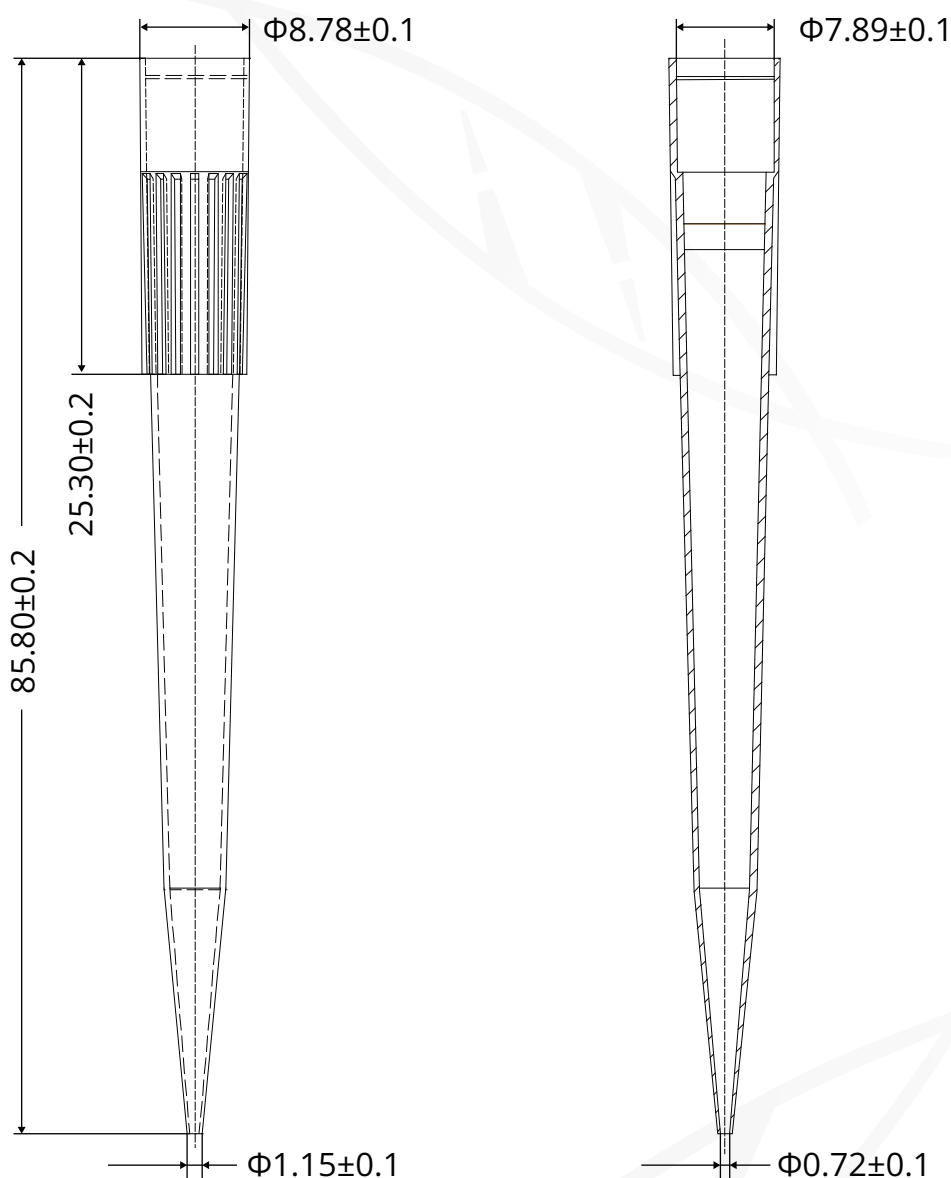
 GenFollower<sup>®</sup>

# DATA SHEET

ISO 9001

## Alternative Rainin LTS Pipette Tips

### Technical Drawing - 1000 $\mu$ L



(Unit: mm)

### SHAOXING GENFOLLOWER BIOTECH CO.,LTD.

**Add:** Eastern industrial park, Baiguan street, Shangyu district,  
Shaoxing city, Zhejiang province, China

**Email:** GenFollower@Genfollower.com

**Web:** www.GenFollower.com

**Fax:** +86-575-82032762

**Tel:** +86-575-82936953

 GenFollower<sup>®</sup>