

DATA SHEET

Pasteur Pipettes

ISO 9001

Features

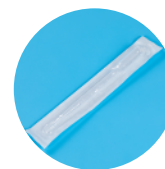


Engineered for meticulous liquid transfers with graduated markings.



Available in various options to suit a wide range of laboratory applications.

Individual packaging prevents cross-contamination.



Fully sterilized, devoid of Dnase, Rnase, and DNA.



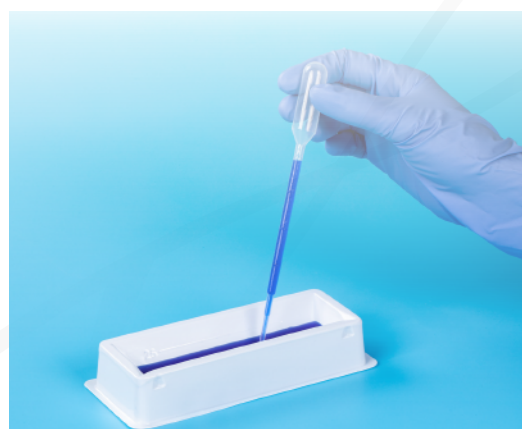
Raw Material

These products are crafted from polyethylene.

Application

Pasteur pipettes, also known as droppers, serve as indispensable tools for transferring liquids and samples within laboratory workflows. Their remarkable precision in handling minute liquid volumes finds utility across diverse scientific settings including microbiology, cell culture, chemistry, as well as medical and clinical applications.

We Open To New Ideas!



SHAOXING GENFOLLOWER BIOTECH CO.,LTD.

Add: Eastern industrial park, Baiguan street, Shangyu district, Shaoxing city, Zhejiang province, China

Email: GenFollower@Genfollower.com

Web: www.GenFollower.com

Fax: +86-575-82032762

Tel: +86-575-82936953

**GenFollower**[®]

DATA SHEET

Pasteur Pipettes

ISO 9001

Product Range

CAT	Description	Packaging
PT60001	1mL Pasteur pipettes, 159mm, individual package, sterile, RNase and DNase free	500 PCS/Bag, 4 Bags/Case
PT00001	1mL Pasteur pipettes, 159mm, bulk package, sterile, RNase and DNase free	500 PCS/Bag, 10 Bags/Case
PT60003	3mL Pasteur pipettes, 162mm, individual package, sterile, RNase and DNase free	500 PCS/Bag, 4 Bags/Case
PT00003	3mL Pasteur pipettes, 162mm, bulk package, sterile, RNase and DNase free	500 PCS/Bag, 10 Bags/Case
PT60033	3mL Pasteur pipettes, 160mm, individual package, sterile, RNase and DNase free	500 PCS/Bag, 4 Bags/Case
PT00033	3mL Pasteur pipettes, 160mm, bulk package, sterile, RNase and DNase free	500 PCS/Bag, 10 Bags/Case

CAT



PT60001
PT00001



PT60003
PT00003



PT60033
PT00033

SHAOXING GENFOLLOWER BIOTECH CO.,LTD.

Add: Eastern industrial park, Baiguan street, Shangyu district, Shaoxing city, Zhejiang province, China

Email: GenFollower@Genfollower.com

Web: www.GenFollower.com

Fax: +86-575-82032762

Tel: +86-575-82936953

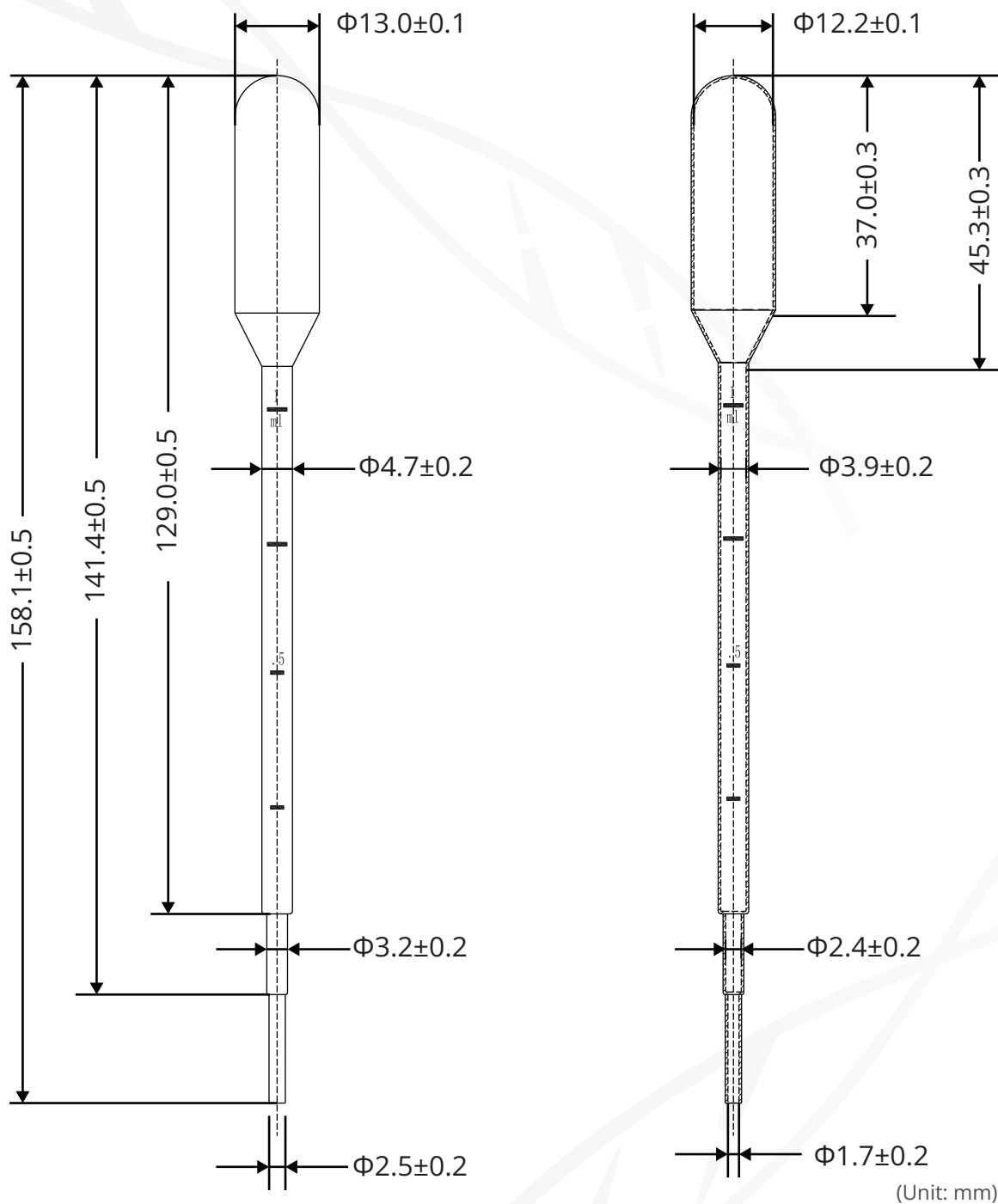
The logo for GenFollower, featuring a stylized DNA double helix in blue and red above the company name "GenFollower" in a bold, sans-serif font. A registered trademark symbol (®) is located to the right of the name.

DATA SHEET

Pasteur Pipettes

ISO 9001

Technical Drawing - PT60001+PT00001



SHAOXING GENFOLLOWER BIOTECH CO.,LTD.

Add: Eastern industrial park, Baiguan street, Shangyu district, Shaoxing city, Zhejiang province, China

Email: GenFollower@Genfollower.com

Web: www.GenFollower.com

Fax: +86-575-82032762

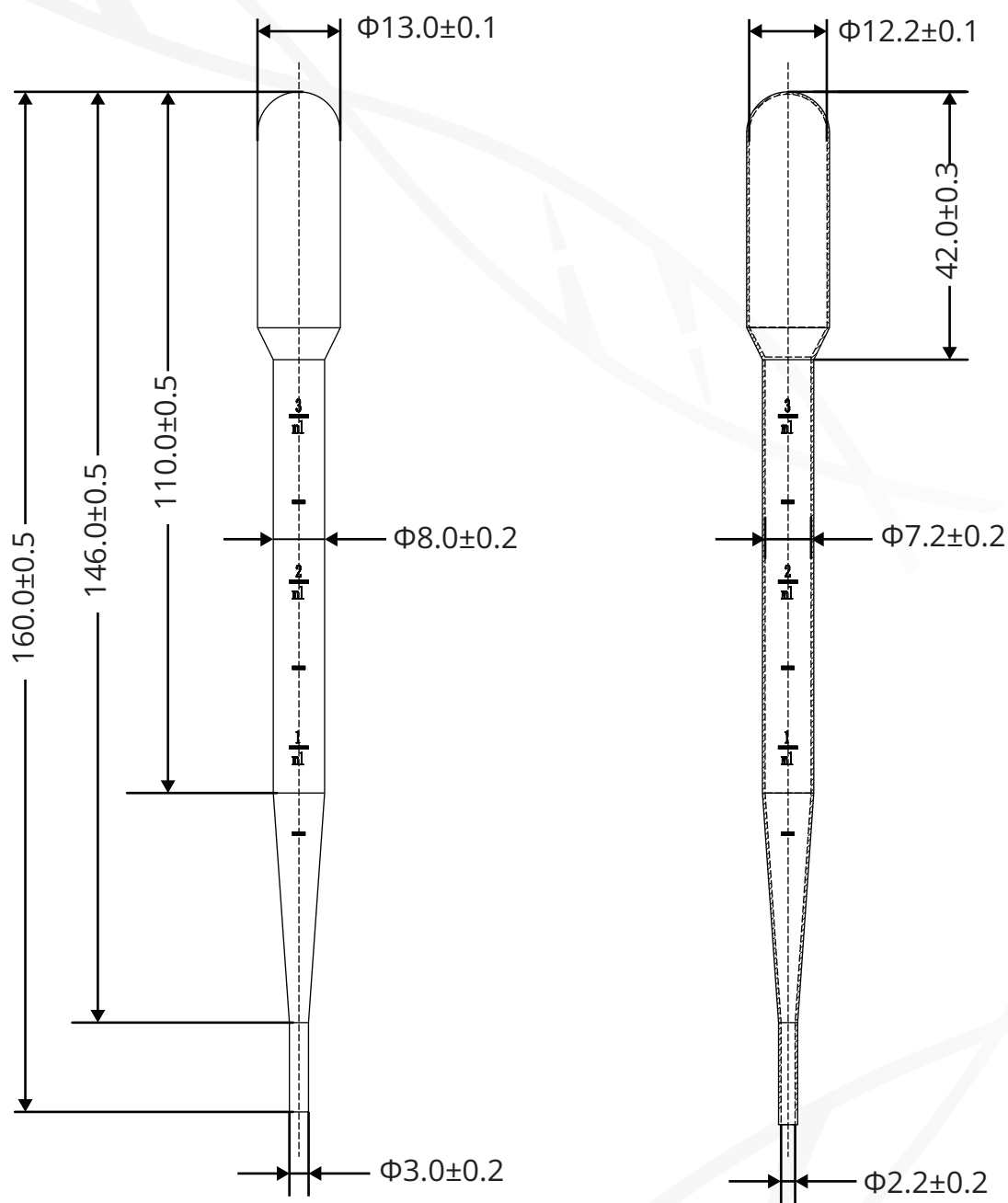
Tel: +86-575-82936953

DATA SHEET

Pasteur Pipettes

ISO 9001

Technical Drawing - PT60003+PT00003



(Unit: mm)

SHAOXING GENFOLLOWER BIOTECH CO.,LTD.

Add: Eastern industrial park, Baiguan street, Shangyu district, Shaoxing city, Zhejiang province, China

Email: GenFollower@GenFollower.com

Web: www.GenFollower.com

Fax: +86-575-82032762

Tel: +86-575-82936953

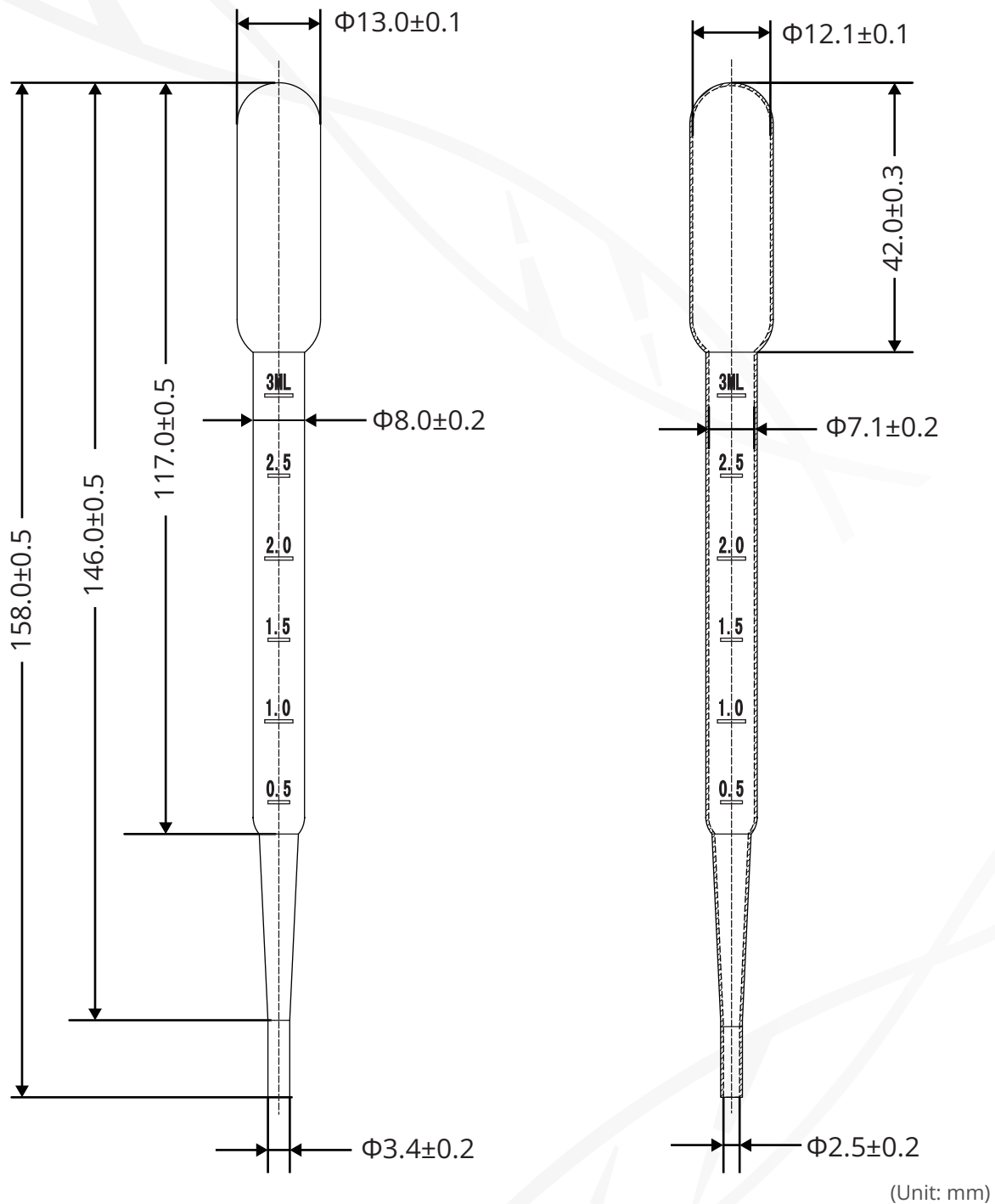
 GenFollower®

DATA SHEET

Pasteur Pipettes

ISO 9001

Technical Drawing - PT60033+PT00033



SHAOXING GENFOLLOWER BIOTECH CO.,LTD.

Add: Eastern industrial park, Baiguan street, Shangyu district, Shaoxing city, Zhejiang province, China

Email: GenFollower@Genfollower.com

Web: www.GenFollower.com

Fax: +86-575-82032762

Tel: +86-575-82936953