

# DATA SHEET

## PCR Plates

ISO 9001

### Features



After over 30 tests, we have identified the best polypropylene material for PCR thermal cycling.

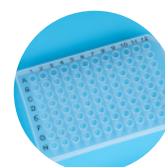


The uniform thin wall thickness ensures optimal heat transfer.

Various specifications available: no skirt, half skirt, full skirt to meet different needs.



The alphabetic grid ensures easy and precise identification.



Free from RNase, DNase, heavy metals, and human DNA contamination.



### Raw Material

The plates are manufactured from medical-grade polypropylene.

### Application

The PCR plate serves as a crucial tool for conducting polymerase chain reaction (PCR) experiments. It is particularly well-suited for high-throughput screening thermal cycler applications and boasts compatibility with most thermal cyclers. The plate streamlines the process, allowing for rapid fragment amplification without manual intervention. Its versatility extends to applications such as gene expression analysis, pathogen detection, DNA cloning, library preparation, and numerous other research endeavours.

**We Open To New Ideas!**



### SHAOXING GENFOLLOWER BIOTECH CO.,LTD.

**Add:** Eastern industrial park, Baiguan street, Shangyu district, Shaoxing city, Zhejiang province, China

**Email:** GenFollower@Genfollower.com

**Web:** www.GenFollower.com

**Fax:** +86-575-82032762

**Tel:** +86-575-82936953

  
**GenFollower**®

# DATA SHEET

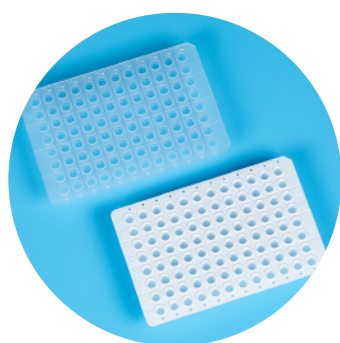
## PCR Plates

ISO 9001

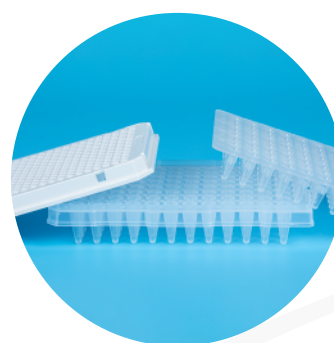
### Product Range

CAT	Description	Packaging
A384FS-004N	40uL Full-Skirt G2 PCR plates, Nature, sterile, RNase and DNase free	15 PCS/box, 10 Boxes/Case
A384FS-004W	40uL Full-Skirt G2 PCR plates, White, sterile, RNase and DNase free	15 PCS/box, 10 Boxes/Case
B96NS-01N	0.1mL Non-Skirt G2 PCR plates, Nature, sterile, RNase and DNase free	15 PCS/box, 10 Boxes/Case
B96NS-01W	0.1mL Non-Skirt G2 PCR plates, White, sterile, RNase and DNase free	15 PCS/box, 10 Boxes/Case
B96NS-02N	0.2mL Non-Skirt G2 PCR plates, Nature, sterile, RNase and DNase free	15 PCS/box, 10 Boxes/Case
B96NS-02W	0.2mL Non-Skirt G2 PCR plates, White, sterile, RNase and DNase free	15 PCS/box, 10 Boxes/Case
B96HS-01N	0.1mL Half-Skirt G2 PCR plates, Nature, sterile, RNase and DNase free	15 PCS/box, 10 Boxes/Case
B96HS-01W	0.1mL Half-Skirt G2 PCR plates, White, sterile, RNase and DNase free	15 PCS/box, 10 Boxes/Case
B96HS-02N	0.2mL Half-Skirt G2 PCR plates, Nature, sterile, RNase and DNase free	15 PCS/box, 10 Boxes/Case
B96HS-02W	0.2mL Half-Skirt G2 PCR plates, White, sterile, RNase and DNase free	15 PCS/box, 10 Boxes/Case
A96WS-02N	0.2mL Half-Skirt G2 PCR plates, Nature, sterile, RNase and DNase free	15 PCS/box, 10 Boxes/Case
A96WS-02W	0.2mL Half-Skirt G2 PCR plates, White, sterile, RNase and DNase free	15 PCS/box, 10 Boxes/Case
A96WS-02PN	0.2mL Half-Skirt G2 PCR plates, Nature, sterile, RNase and DNase free	15 PCS/box, 10 Boxes/Case
T96HS-02N	0.2mL Half-Skirt G2 PCR plates, Nature, sterile, RNase and DNase free	15 PCS/box, 10 Boxes/Case

### Type



Color: Nature/White



Specification:  
Non-skirt/Half-skirt/Full-skirt

### SHAOXING GENFOLLOWER BIOTECH CO.,LTD.

**Add:** Eastern industrial park, Baiguan street, Shangyu district, Shaoxing city, Zhejiang province, China

**Email:** GenFollower@Genfollower.com

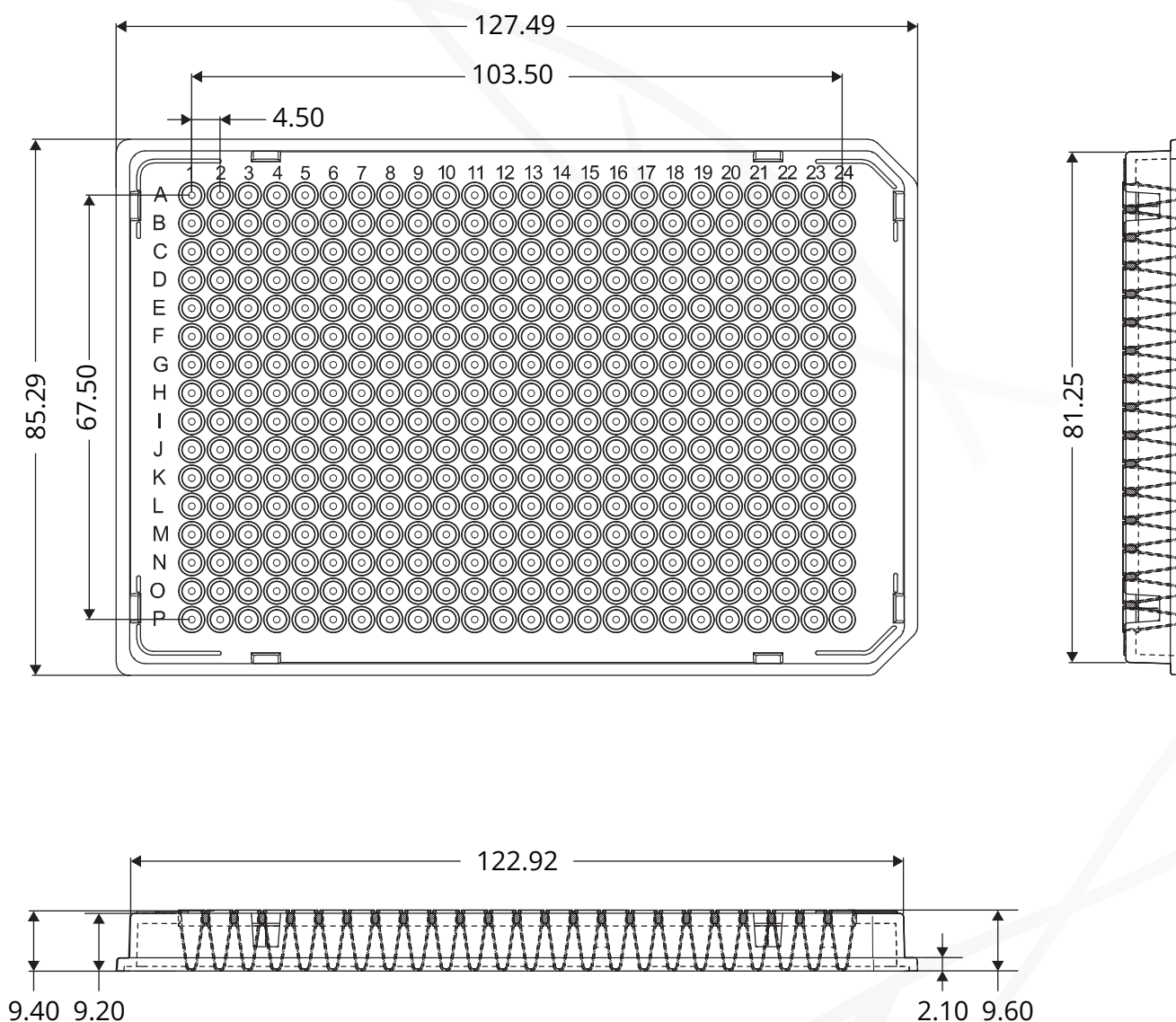
**Web:** www.GenFollower.com

**Fax:** +86-575-82032762

**Tel:** +86-575-82936953

 GenFollower®

 **Technical Drawing - A384FS-004N+A384FS-004W**



(Unit: mm)

**SHAOXING GENFOLLOWER BIOTECH CO.,LTD.**

**Add:** Eastern industrial park, Baiguan street, Shangyu district, Shaoxing city, Zhejiang province, China

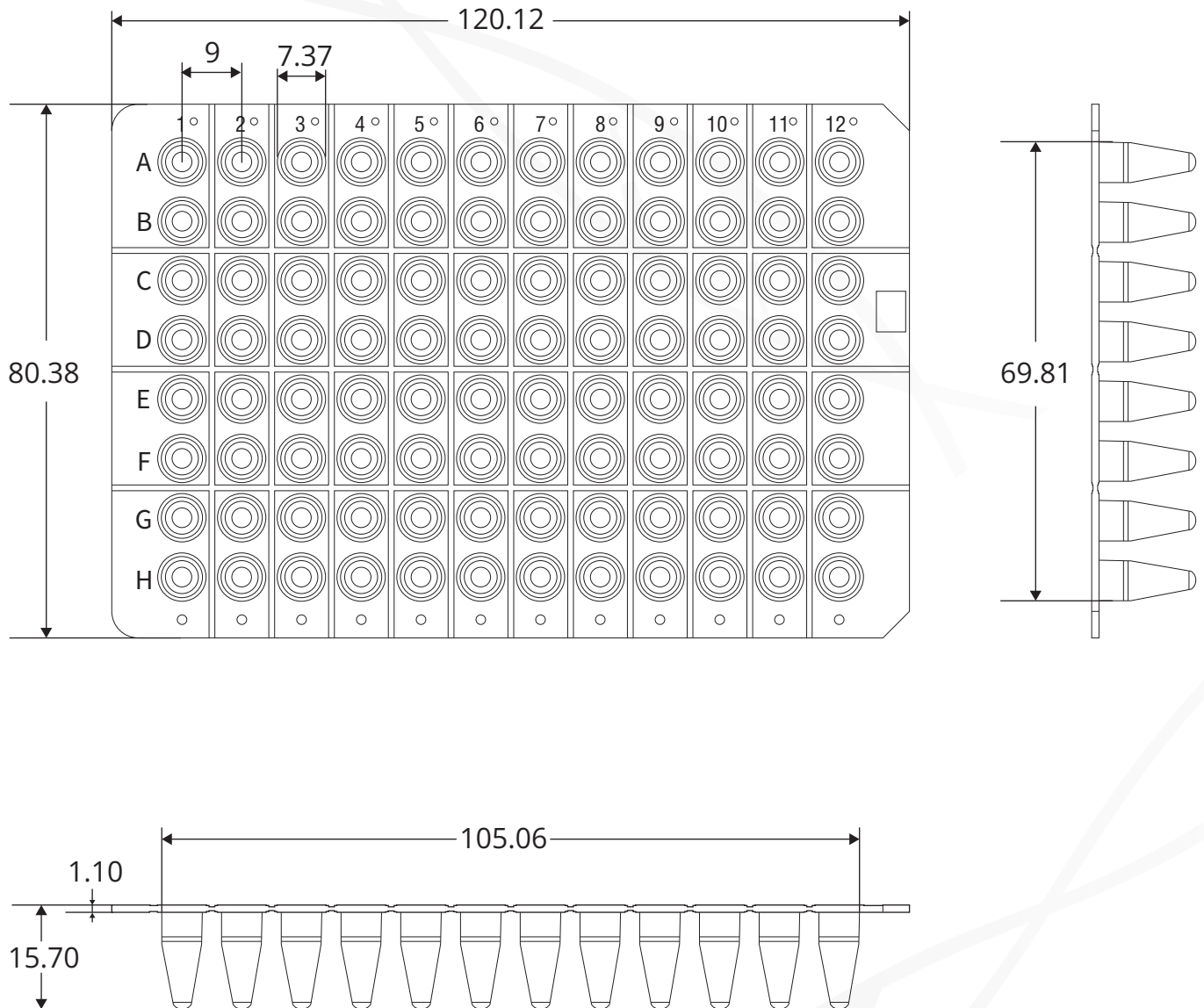
**Email:** GenFollower@Genfollower.com

**Web:** www.GenFollower.com

**Fax:** +86-575-82032762

**Tel:** +86-575-82936953

 **Technical Drawing - B96NS-01N+B96NS-01W**



(Unit: mm)

**SHAOXING GENFOLLOWER BIOTECH CO.,LTD.**

**Add:** Eastern industrial park, Baiguan street, Shangyu district, Shaoxing city, Zhejiang province, China

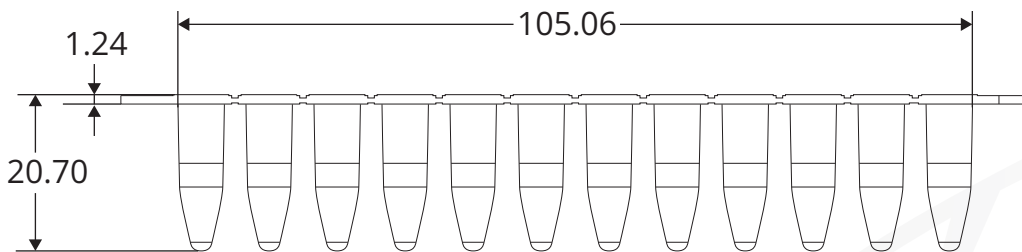
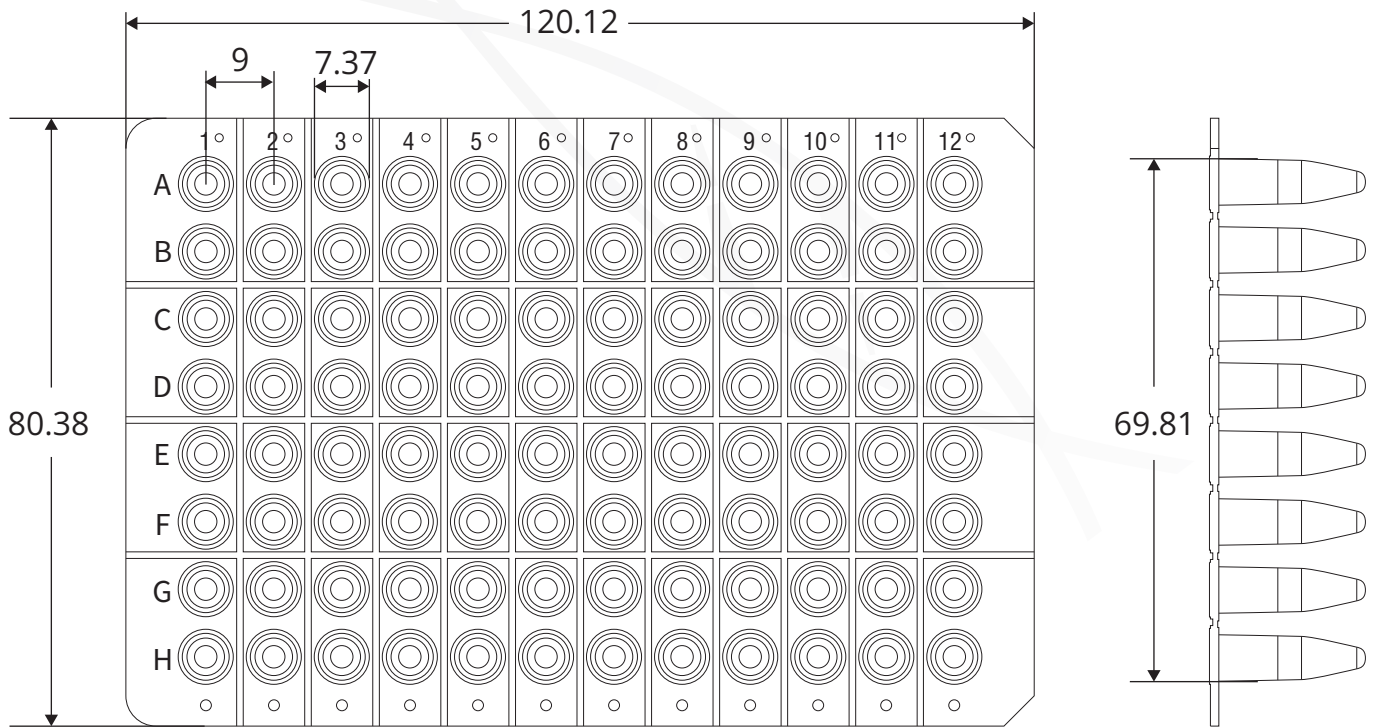
**Email:** GenFollower@Genfollower.com

**Web:** www.GenFollower.com

**Fax:** +86-575-82032762

**Tel:** +86-575-82936953

 **Technical Drawing - B96NS-02N+B96NS-02W**



(Unit: mm)

**SHAOXING GENFOLLOWER BIOTECH CO.,LTD.**

**Add:** Eastern industrial park, Baiguan street, Shangyu district, Shaoxing city, Zhejiang province, China

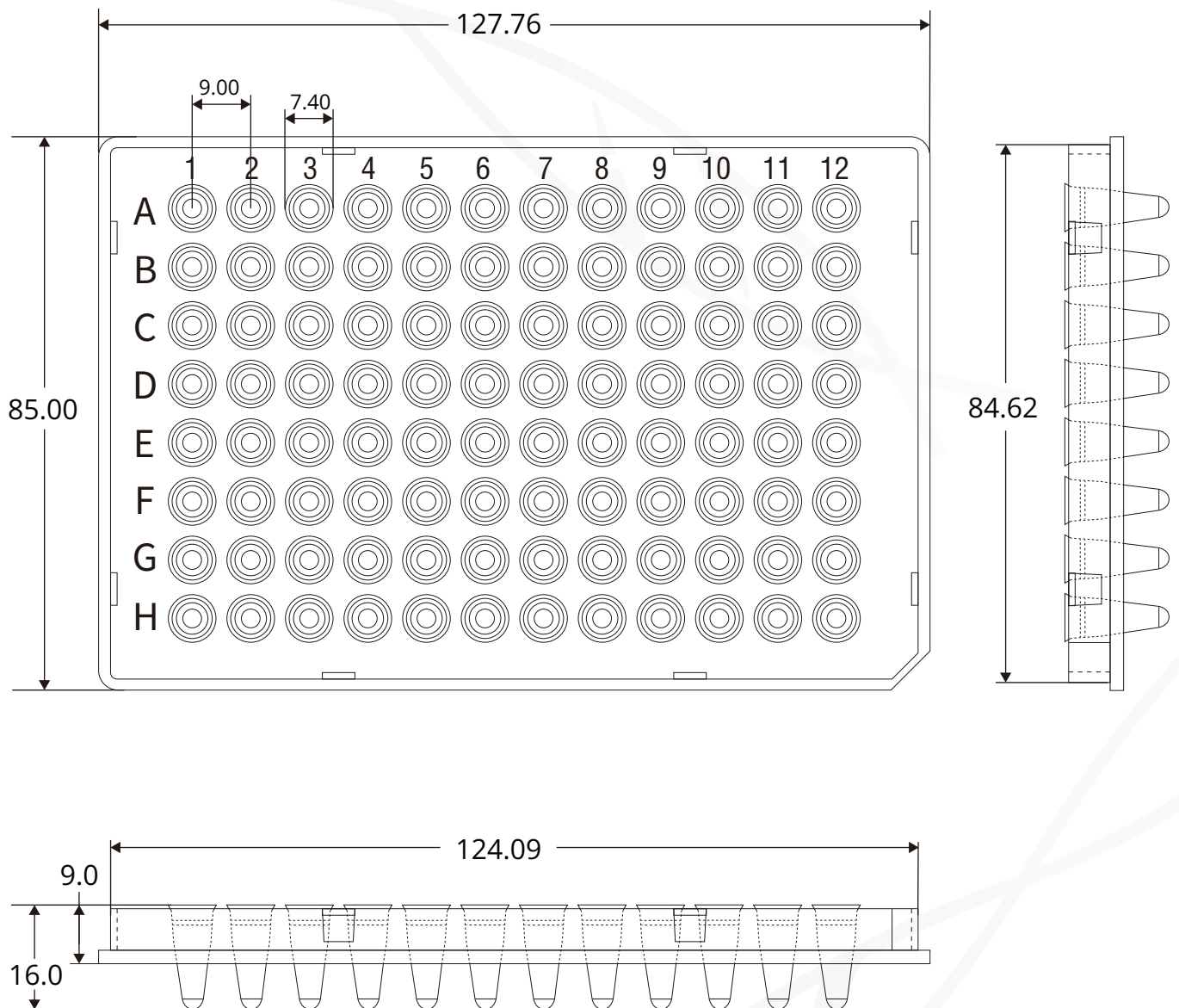
**Email:** GenFollower@Genfollower.com

**Web:** www.GenFollower.com

**Fax:** +86-575-82032762

**Tel:** +86-575-82936953

## Technical Drawing - B96HS-01N+B96HS-01W



(Unit: mm)

### SHAOXING GENFOLLOWER BIOTECH CO.,LTD.

**Add:** Eastern industrial park, Baiguan street, Shangyu district, Shaoxing city, Zhejiang province, China

**Email:** GenFollower@Genfollower.com

**Web:** www.GenFollower.com

**Fax:** +86-575-82032762

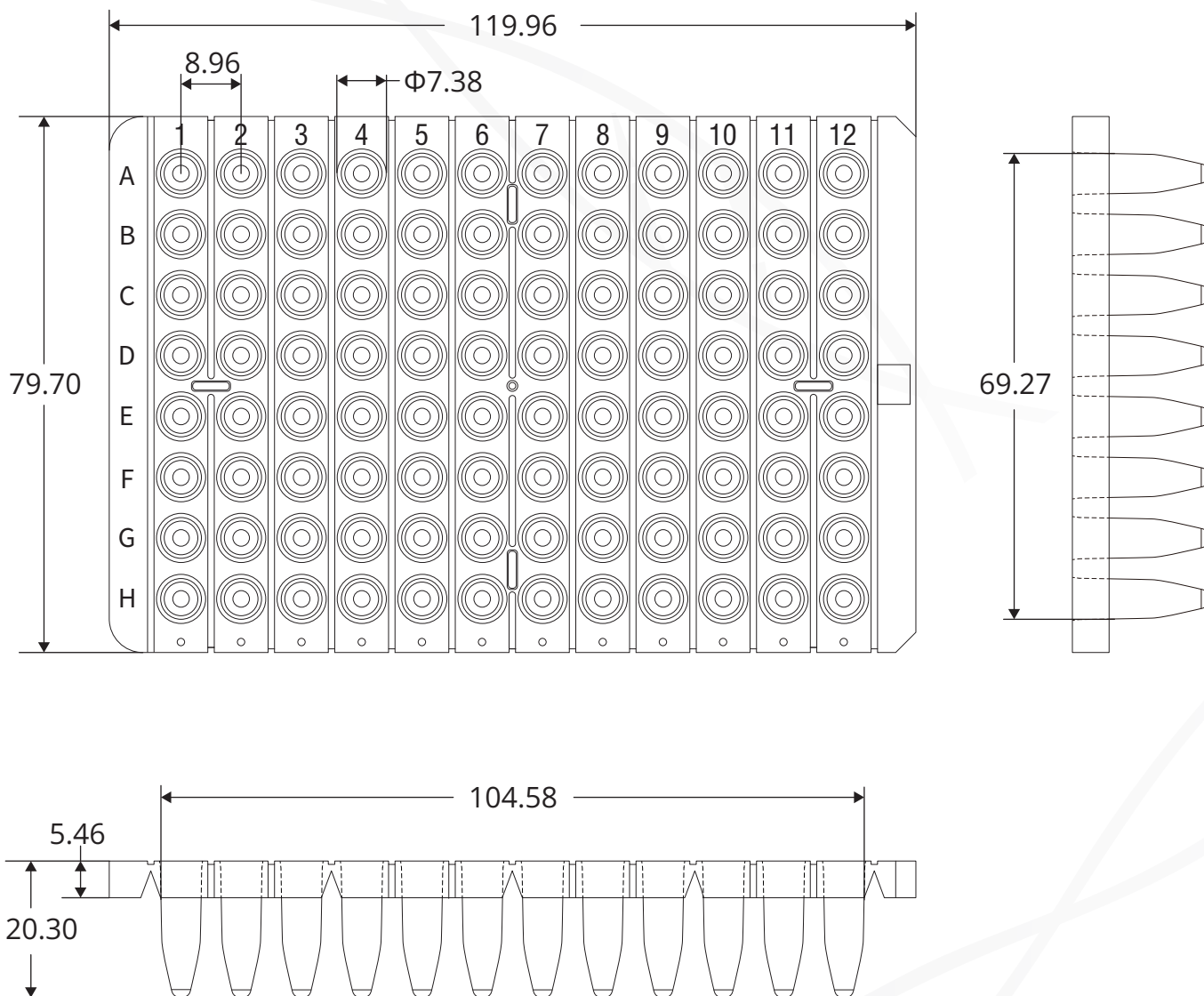
**Tel:** +86-575-82936953

# DATA SHEET

PCR Plates

ISO 9001

## Technical Drawing - B96HS-02N+B96HS-02W



(Unit: mm)

### SHAOXING GENFOLLOWER BIOTECH CO.,LTD.

**Add:** Eastern industrial park, Baiguan street, Shangyu district, Shaoxing city, Zhejiang province, China

**Email:** GenFollower@GenFollower.com

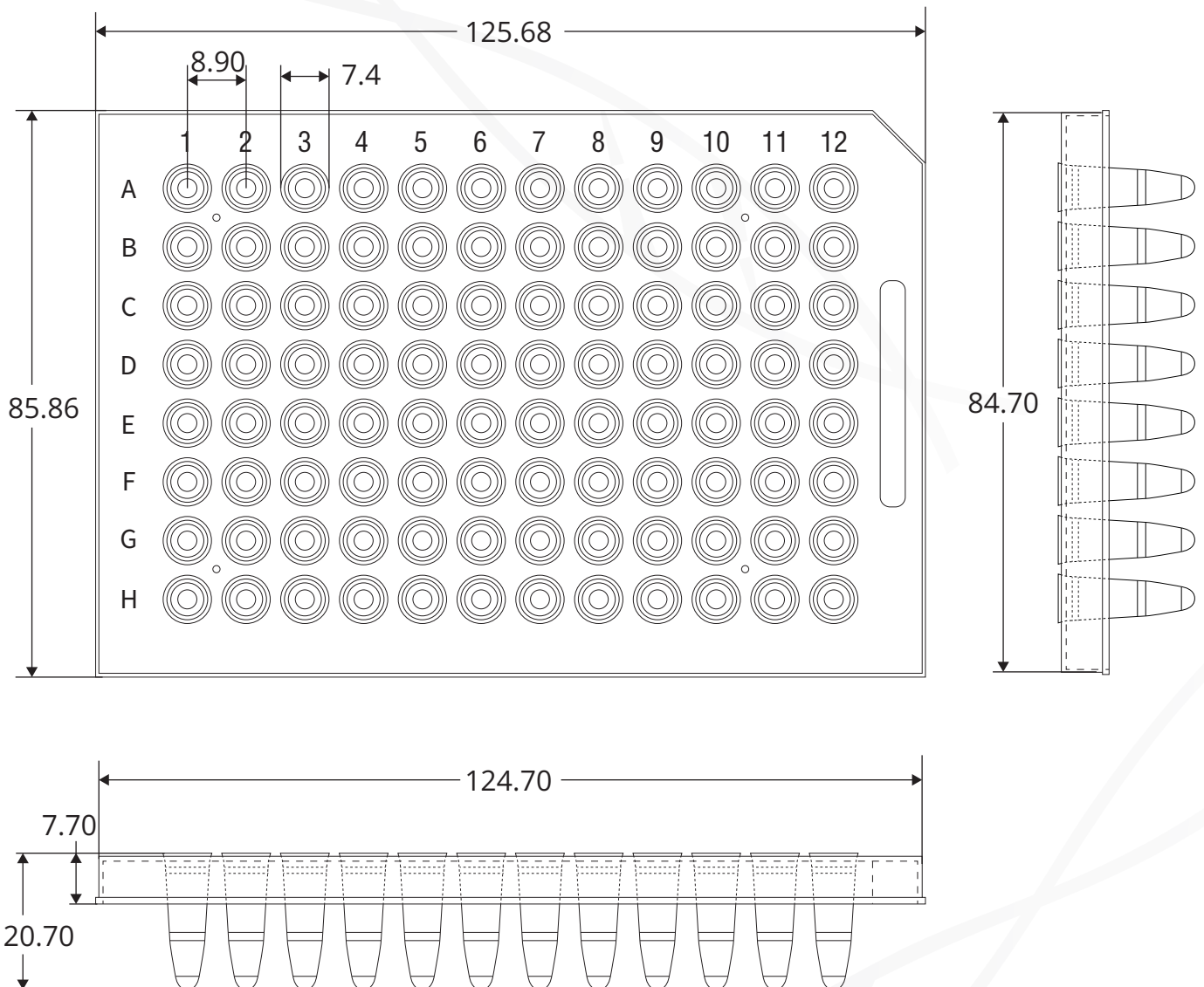
**Web:** www.GenFollower.com

**Fax:** +86-575-82032762

**Tel:** +86-575-82936953

 GenFollower®

 **Technical Drawing - A96WS-02N+A96WS-02W6+A96WS-02PN**



(Unit: mm)

**SHAOXING GENFOLLOWER BIOTECH CO.,LTD.**

**Add:** Eastern industrial park, Baiguan street, Shangyu district, Shaoxing city, Zhejiang province, China

**Email:** GenFollower@GenFollower.com

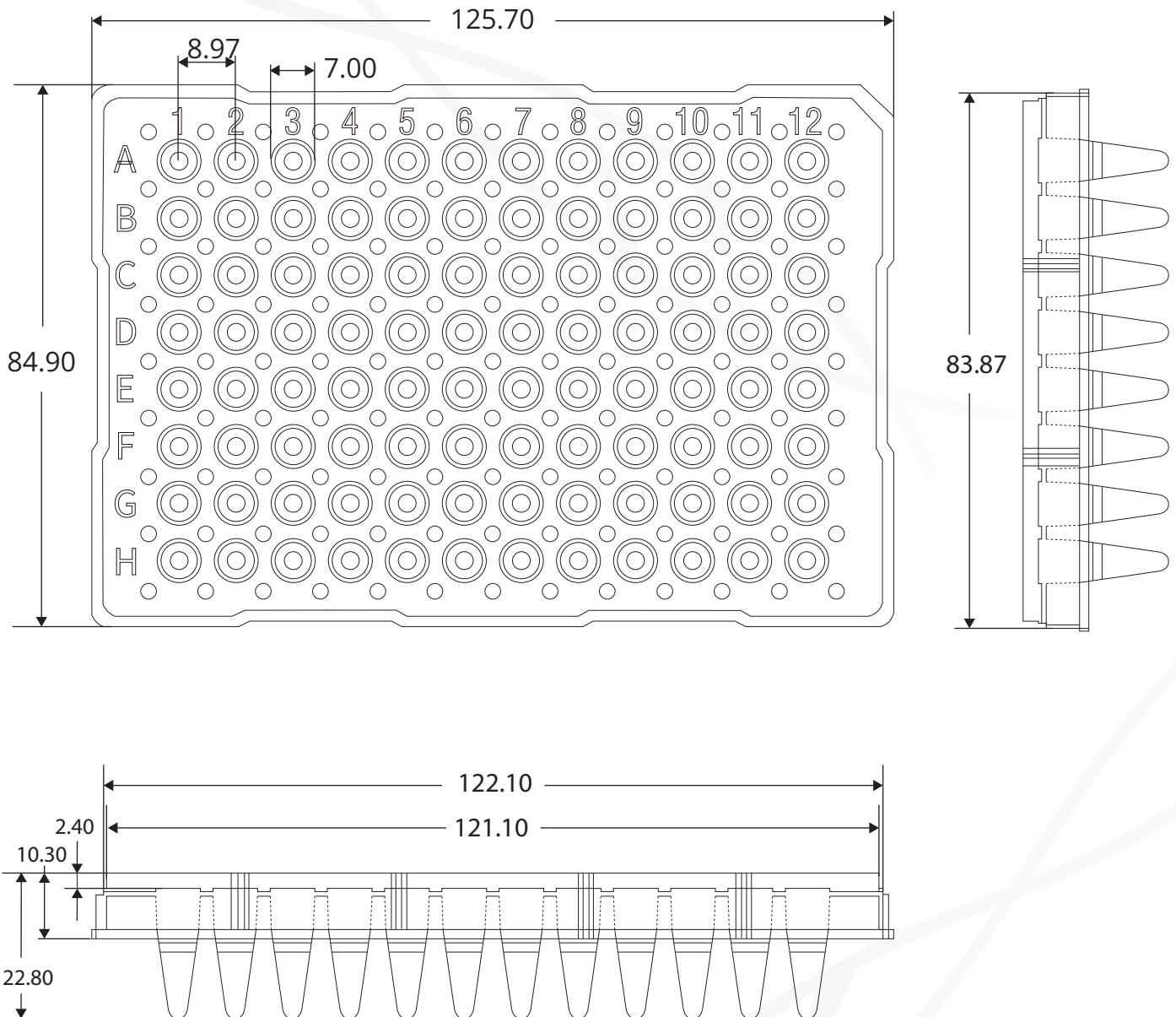
**Web:** www.GenFollower.com

**Fax:** +86-575-82032762

**Tel:** +86-575-82936953



## Technical Drawing - T96HS-02N



(Unit: mm)

### SHAOXING GENFOLLOWER BIOTECH CO.,LTD.

**Add:** Eastern industrial park, Baiguan street, Shangyu district, Shaoxing city, Zhejiang province, China

**Email:** GenFollower@Genfollower.com

**Web:** www.GenFollower.com

**Fax:** +86-575-82032762

**Tel:** +86-575-82936953