

# DATA SHEET

## Micro Centrifuge Tubes with Safe Lock

ISO 9001

### Features

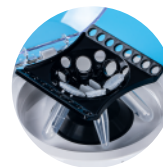


Crafted from high-quality polypropylene, it showcases remarkable chemical resistance.



The safety lock ensures that centrifuge tubes remain closed and leak-free during centrifugation, effectively averting unintended openings and spills.

Compatible with most microcentrifuge brands for widespread usability.



Our product is sterilized and devoid of DNase, RNase, DNA, heavy metals, and pyrogens.



### Raw Material

These tubes are made from virgin polypropylene.

### Application

Microcentrifuge tubes find widespread application across various domains of molecular biology. These tubes serve as ideal vessels for the storage and centrifugation of minute-volume samples, extracts, and reagents. They are frequently employed in fundamental experiments encompassing centrifugation, nucleic acid extraction, sample preparation, PCR, and other pertinent methodologies.

**We Open To New Ideas!**



### SHAOXING GENFOLLOWER BIOTECH CO.,LTD.

**Add:** Eastern industrial park, Baiguan street, Shangyu district, Shaoxing city, Zhejiang province, China

**Email:** GenFollower@Genfollower.com

**Web:** www.GenFollower.com

**Fax:** +86-575-82032762

**Tel:** +86-575-82936953

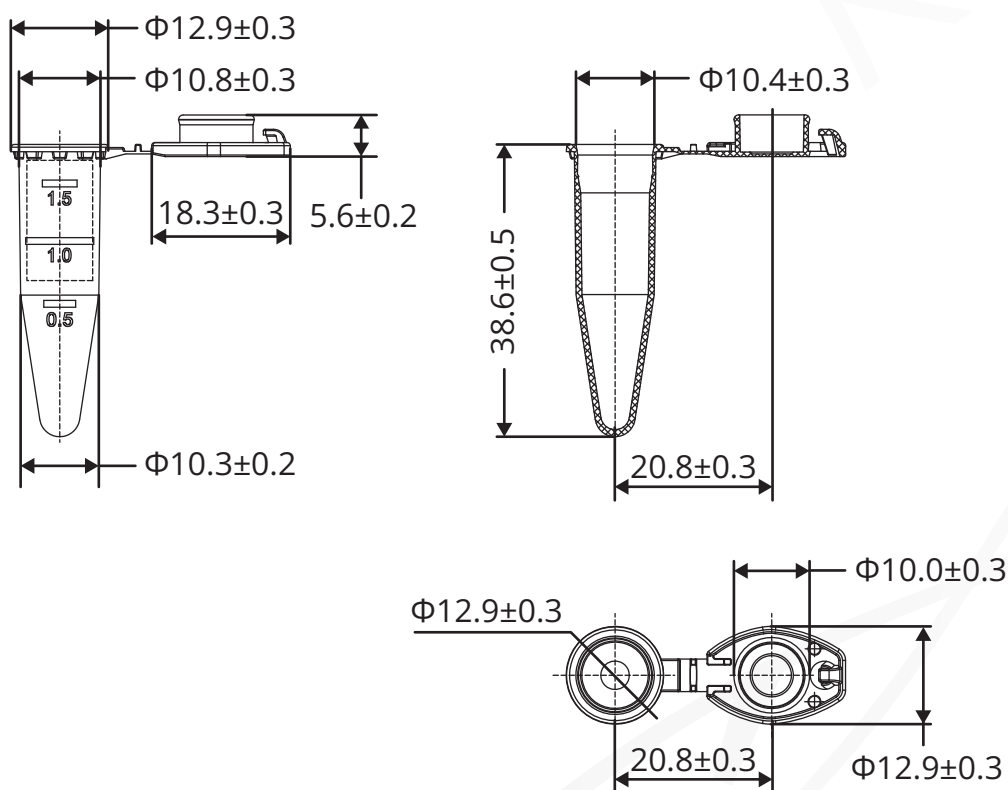
**GenFollower**<sup>®</sup>

## Micro Centrifuge Tubes with Safe Lock

### Product Range

CAT	Description	Packaging
LMTB015	1.5mL microcentrifuge tubes with safe lock, nature, sterile, RNase and DNase free	500 PCS/Bag, 10 Bags/Case
LMTB020	2.0mL microcentrifuge tubes with safe lock, nature, sterile, RNase and DNase free	500 PCS/Bag, 10 Bags/Case
LMTB050	5.0mL microcentrifuge tubes with safe lock, nature, sterile, RNase and DNase free	300 PCS/Bag, 15 Bags/Case

### Technical Drawing - LMTB015



(Unit: mm)

### SHAOXING GENFOLLOWER BIOTECH CO.,LTD.

Add: Eastern industrial park, Baiguan street, Shangyu district,

Shaoxing city, Zhejiang province, China

Email: GenFollower@Genfollower.com

Web: www.GenFollower.com

Fax: +86-575-82032762

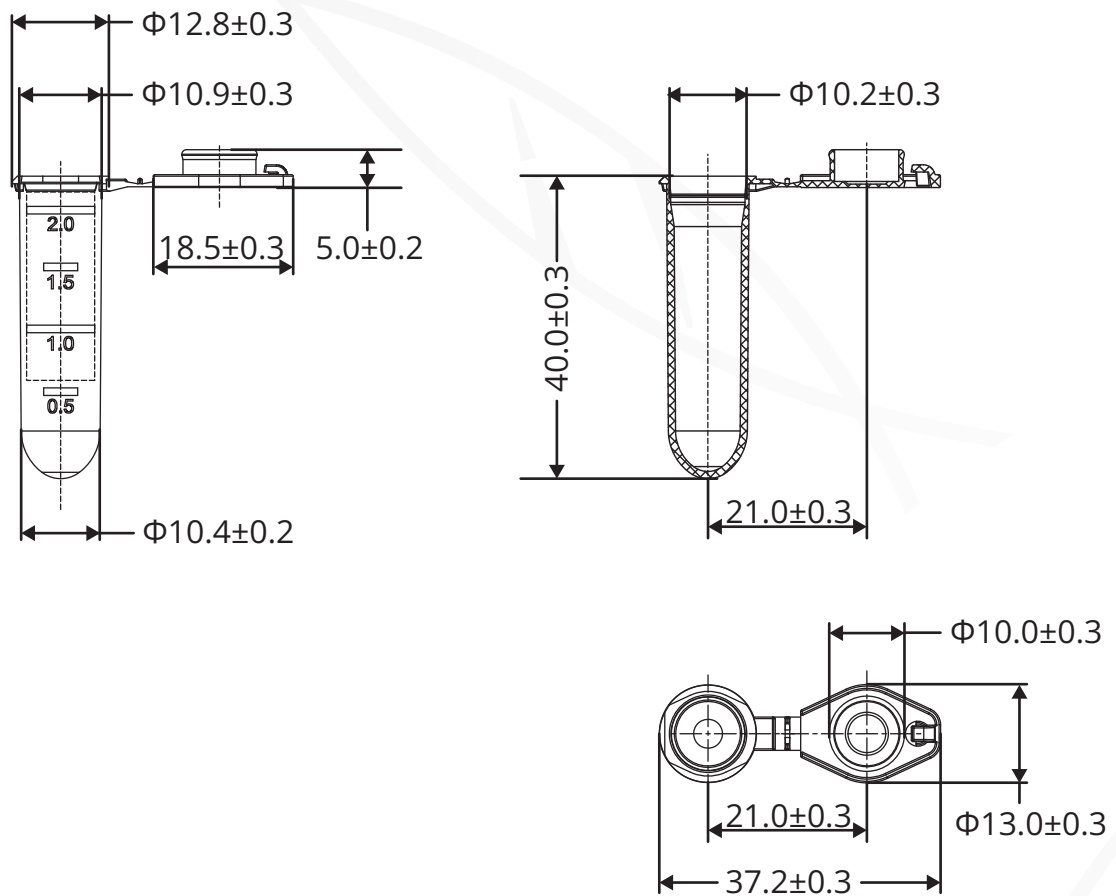
Tel: +86-575-82936953

# DATA SHEET

ISO 9001

## Micro Centrifuge Tubes with Safe Lock

### Technical Drawing - LMTB020



(Unit: mm)

### SHAOXING GENFOLLOWER BIOTECH CO.,LTD.

**Add:** Eastern industrial park, Baiguan street, Shangyu district, Shaoxing city, Zhejiang province, China

**Email:** GenFollower@Genfollower.com

**Web:** www.GenFollower.com

**Fax:** +86-575-82032762

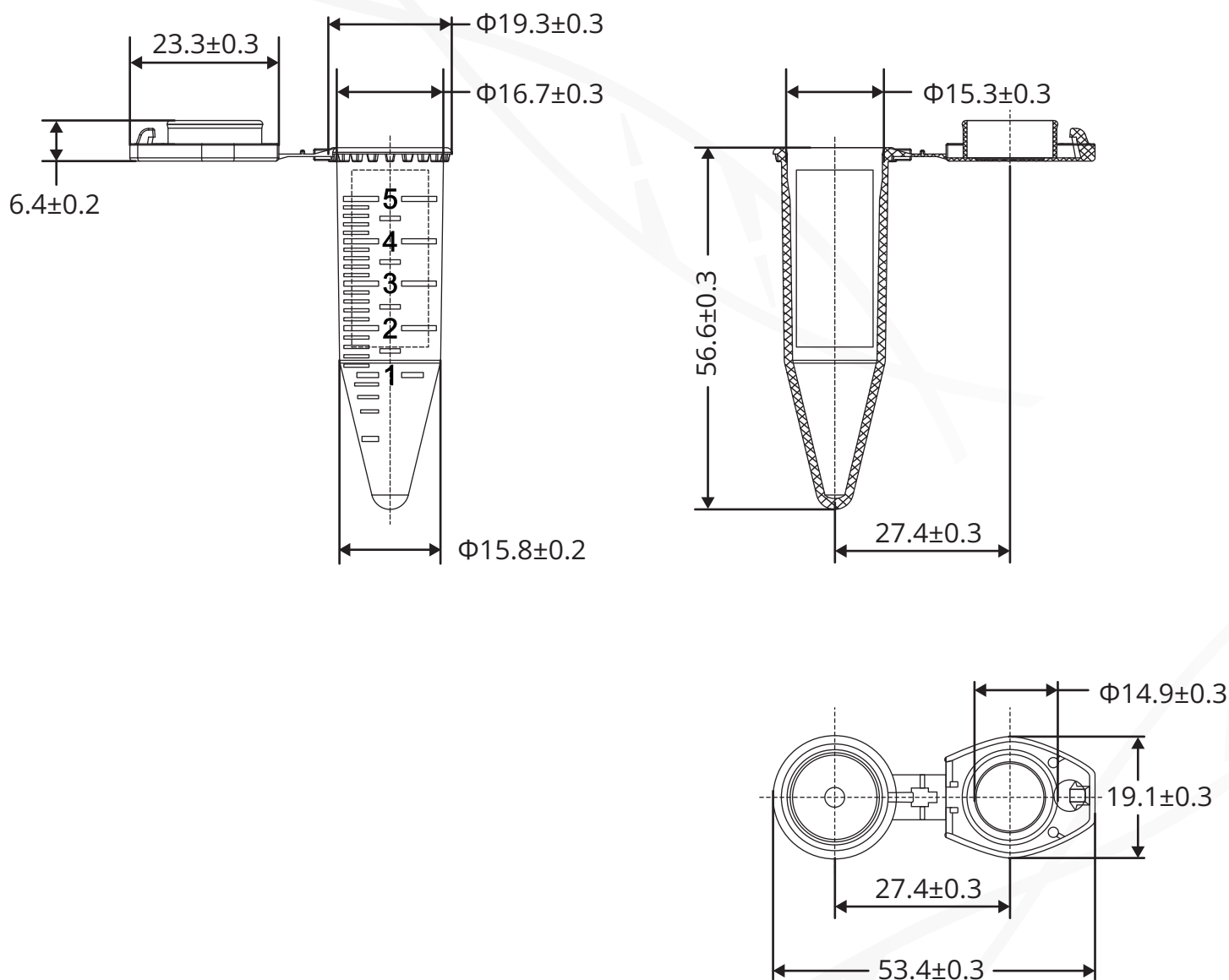
**Tel:** +86-575-82936953

# DATA SHEET

ISO 9001

## Micro Centrifuge Tubes with Safe Lock

### Technical Drawing - LMTB050



(Unit: mm)

### SHAOXING GENFOLLOWER BIOTECH CO.,LTD.

**Add:** Eastern industrial park, Baiguan street, Shangyu district, Shaoxing city, Zhejiang province, China

**Email:** GenFollower@Genfollower.com

**Web:** www.GenFollower.com

**Fax:** +86-575-82032762

**Tel:** +86-575-82936953

 GenFollower®