

# DATA SHEET

## Cell Spreaders

ISO 9001

### Features



The smooth spreading surface minimizes the risk of damaging agar samples.



The special shape enables complete spreading across the entire surface of the petri dish or plate.

The use of durable, non-fragile materials reduces safety hazards.



Individually packaged to reduce cross-contamination.



Sterilized, free of DNase, RNase and pyrogen.



### Raw Material

The product is made of High Impact Polystyrene (HIPS).

### Application

In the field of microbiology, cell spreaders or plate spreaders are essential specialized tools used in laboratories. Their primary purpose is to achieve the uniform distribution of bacterial or yeast cultures across solid growth media, such as agar plates or Petri dishes. These tools play a crucial role in ensuring accurate colony isolation and subsequent analysis, thereby contributing to reliable research outcomes.

**We Open To New Ideas!**



### SHAOXING GENFOLLOWER BIOTECH CO.,LTD.

**Add:** Eastern industrial park, Baiguan street, Shangyu district, Shaoxing city, Zhejiang province, China

**Email:** GenFollower@Genfollower.com

**Web:** www.GenFollower.com

**Fax:** +86-575-82032762

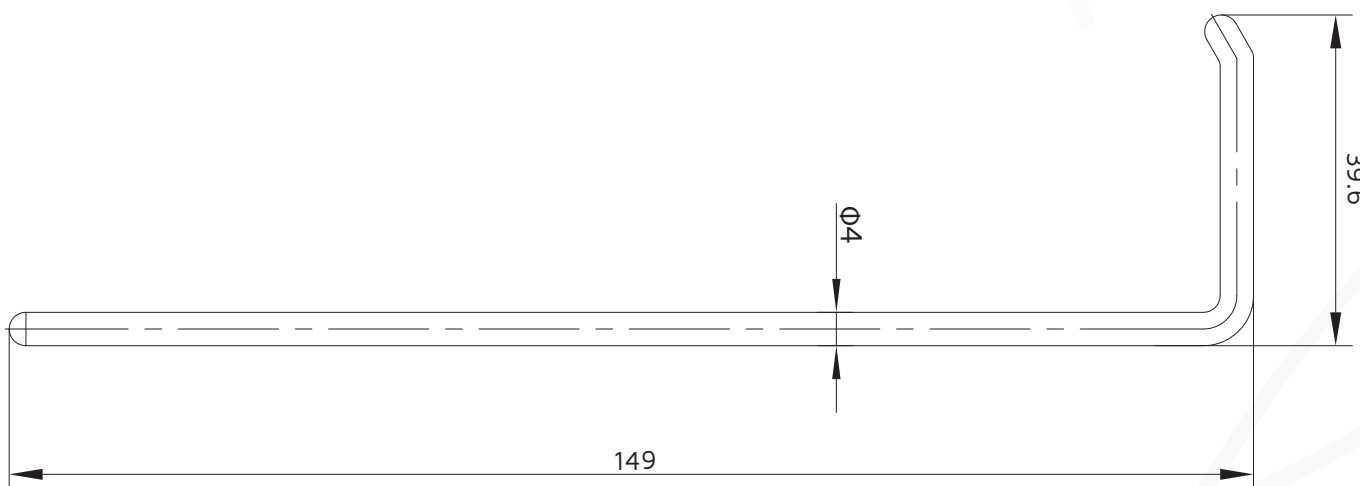
**Tel:** +86-575-82936953

**GenFollower**<sup>®</sup>

### Product Range

| CAT.#   | Description  | Packaging                 |
|---------|--|---------------------------|
| TG00148 | 149mm cell spreaders, L shape, individual package, sterile, RNase and DNase free | 100 PCS/Bag, 20 Bags/Case |
| TG00182 | 182mm cell spreaders, T shape, individual package, sterile, RNase and DNase free | 100 PCS/Bag, 20 Bags/Case |

### Technical Drawing - TG00148



(Unit: mm)

### SHAOXING GENFOLLOWER BIOTECH CO.,LTD.

**Add:** Eastern industrial park, Baiguan street, Shangyu district, Shaoxing city, Zhejiang province, China

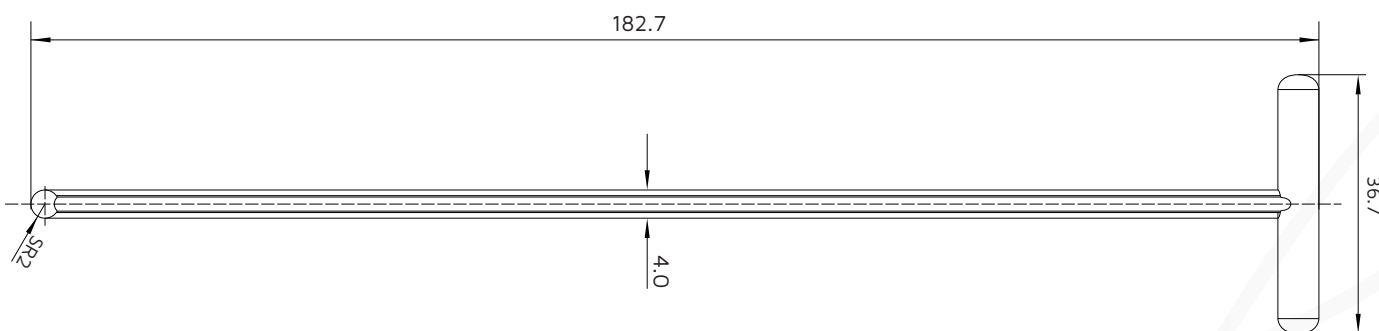
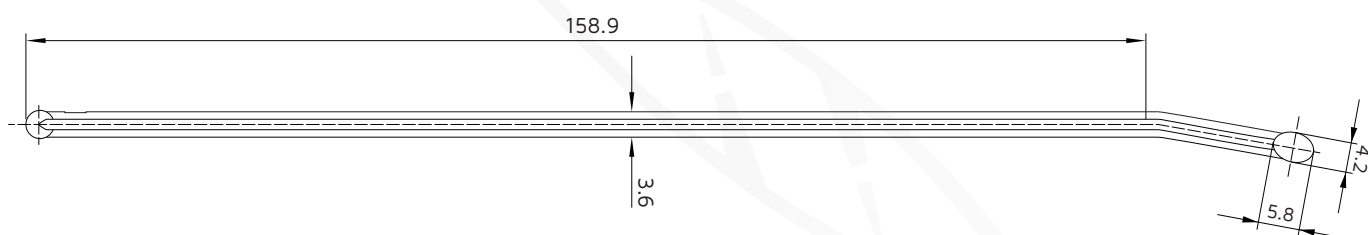
**Email:** GenFollower@Genfollower.com

**Web:** www.GenFollower.com

**Fax:** +86-575-82032762

**Tel:** +86-575-82936953

## Technical Drawing - TG00182



(Unit: mm)

### SHAOXING GENFOLLOWER BIOTECH CO.,LTD.

**Add:** Eastern industrial park, Baiguan street, Shangyu district,  
Shaoxing city, Zhejiang province, China

**Email:** GenFollower@Genfollower.com

**Web:** www.GenFollower.com

**Fax:** +86-575-82032762

**Tel:** +86-575-82936953