

DATA SHEET

Gel-loading Pipette Tip

ISO 9001

Features



The soft tip protects gels from damage.

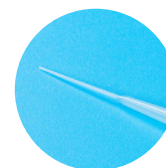


Accurate loading, even for samples as small as 1 microliter.

Compatible with most pipettes, excluding Rainin LTS and Thermo Clip-Tip.



The extended tip design is particularly well-suited for loading both agarose and protein gels.



Our product undergoes sterilization and is devoid of DNase, RNase, and DNA.



Raw Material

These tips are produced using pure polypropylene material.

Application

Gel-loading tips serve the purpose of loading and transferring samples, particularly into the wells of gels, as commonly observed in procedures like gel electrophoresis. They prove particularly useful for a range of electrophoresis loading tasks, encompassing SDS-PAGE electrophoresis, agarose gel electrophoresis, 2-D electrophoresis, and more.

We Open To New Ideas!



SHAOXING GENFOLLOWER BIOTECH CO.,LTD.

Add: Eastern industrial park, Baiguan street, Shangyu district, Shaoxing city, Zhejiang province, China

Email: GenFollower@Genfollower.com

Web: www.GenFollower.com

Fax: +86-575-82032762

Tel: +86-575-82936953

**GenFollower**[®]

DATA SHEET

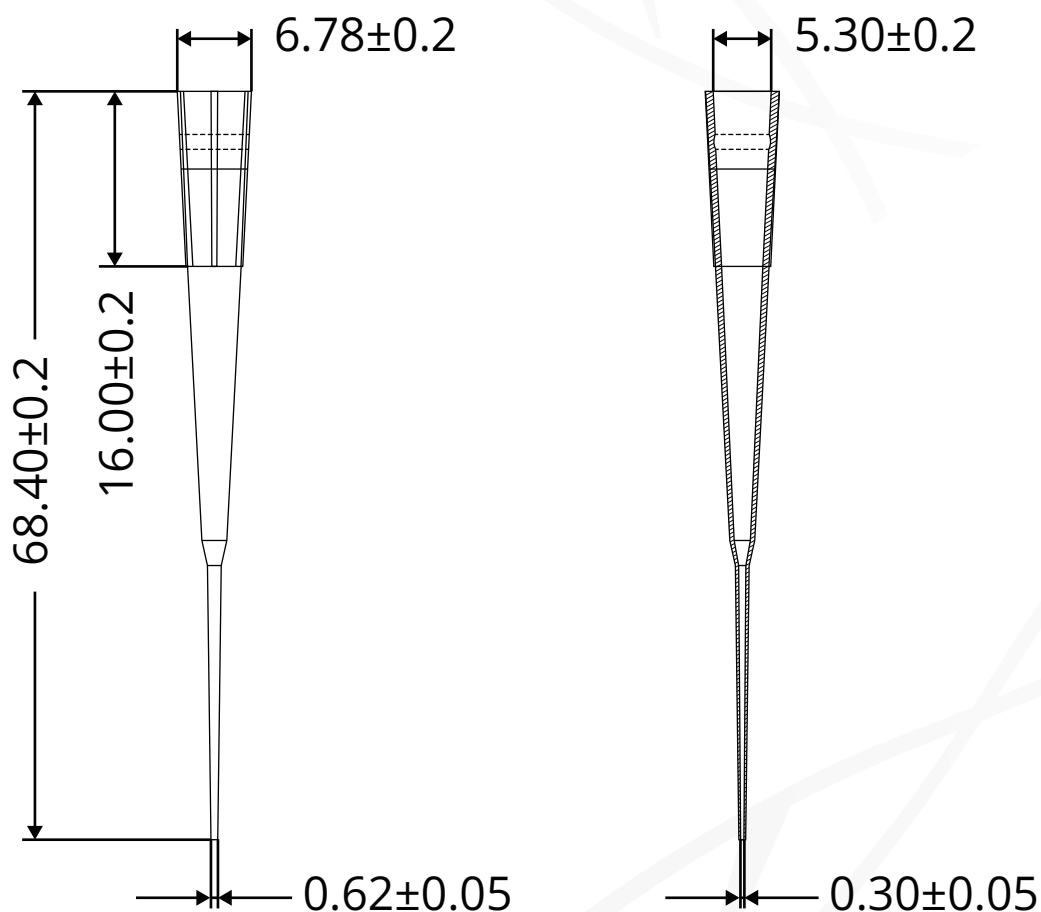
Gel-loading Pipette Tip

ISO 9001

Product Range

CAT	Description	Packaging
GTR200-S	200uL gel-loading pipette tip, sterile, Dnase and Rnase free	96 tips/rack, 10 racks/pack, 5 packs/carton

Technical Drawing - GTR200-S



(Unit: mm)

SHAOXING GENFOLLOWER BIOTECH CO.,LTD.

Add: Eastern industrial park, Baiguan street, Shangyu district, Shaoxing city, Zhejiang province, China

Email: GenFollower@Genfollower.com

Web: www.GenFollower.com

Fax: +86-575-82032762

Tel: +86-575-82936953

 GenFollower®