

DATA SHEET

Alternative Rainin LTS Filter Tips

ISO 9001

Features



Designed to integrate with Rainin LTS™ pipettes, ensuring optimal compatibility.



Made from virgin polypropylene, these tips provide outstanding clarity, making it effortless to observe during pipetting tasks.

Available in a range of volumes, catering to diverse pipetting requirements.



Maintaining a state of sterility, free of DNase, RNase, human DNA and endotoxins.



Features an integrated filter to protect against aerosol contamination.



Raw Material

The tips are crafted from virgin polypropylene, while the integrated filters are constructed using polyethylene.

Application

These tips are exclusive crafted for Rainin LTS™ pipettes, which find widespread use in laboratory pipetting tasks. They serve a vital role across diverse scientific and research domains, encompassing molecular biology, cell culture, and other meticulous liquid handling necessities within the laboratory environment.

We Open To New Ideas!



Rainin and LTS™ are trademarks of METTLER TOLEDO and Company or its affiliates.

SHAOXING GENFOLLOWER BIOTECH CO.,LTD.

Add: Eastern industrial park, Baiguan street, Shangyu district, Shaoxing city, Zhejiang province, China

Email: GenFollower@Genfollower.com

Web: www.GenFollower.com

Fax: +86-575-82032762

Tel: +86-575-82936953

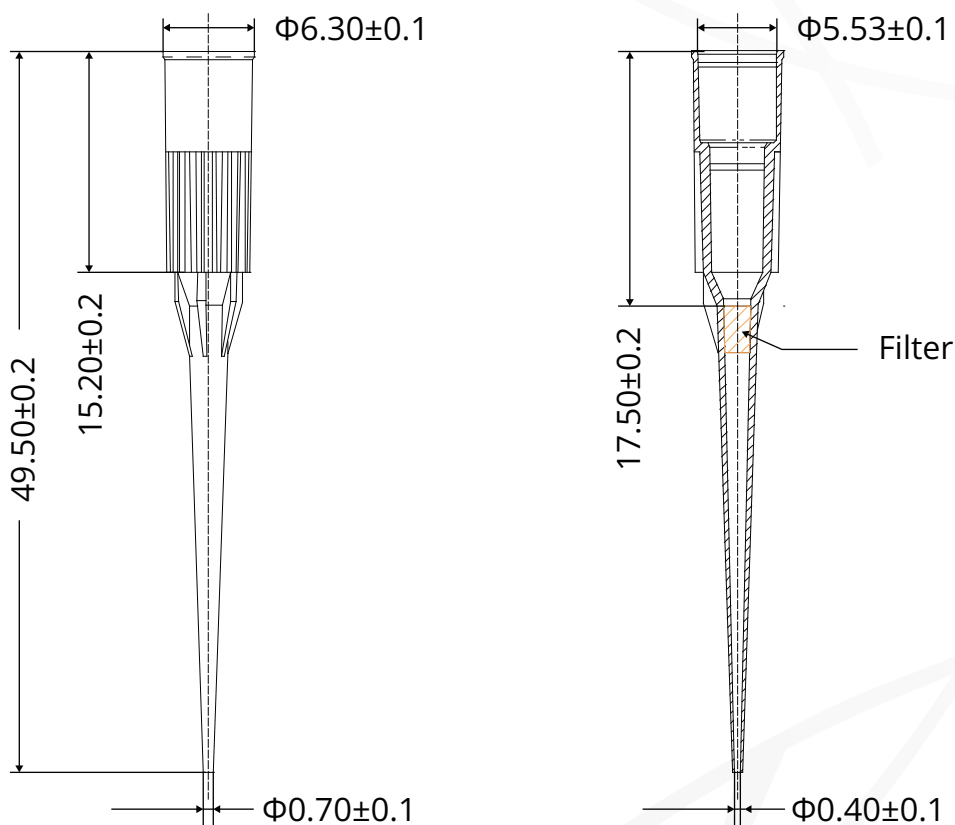
**GenFollower**®

Alternative Rainin LTS Filter Tips

Product Range

Volume	Description	Packaging
10uL	Alternative 10uL Rainin LTS filter pipette tip, sterile, DNase and RNase free	Racked & Bagged
200uL	Alternative 200uL Rainin LTS filter pipette tip, sterile, DNase and RNase free	Racked & Bagged
300uL	Alternative 300uL Rainin LTS filter pipette tip, sterile, DNase and RNase free	Racked & Bagged
1000uL	Alternative 1000uL Rainin LTS filter pipette tip, sterile, DNase and RNase free	Racked & Bagged

Technical Drawing - 10µL



(Unit: mm)

SHAOXING GENFOLLOWER BIOTECH CO.,LTD.

Add: Eastern industrial park, Baiguan street, Shangyu district, Shaoxing city, Zhejiang province, China

Email: GenFollower@Genfollower.com

Web: www.GenFollower.com

Fax: +86-575-82032762

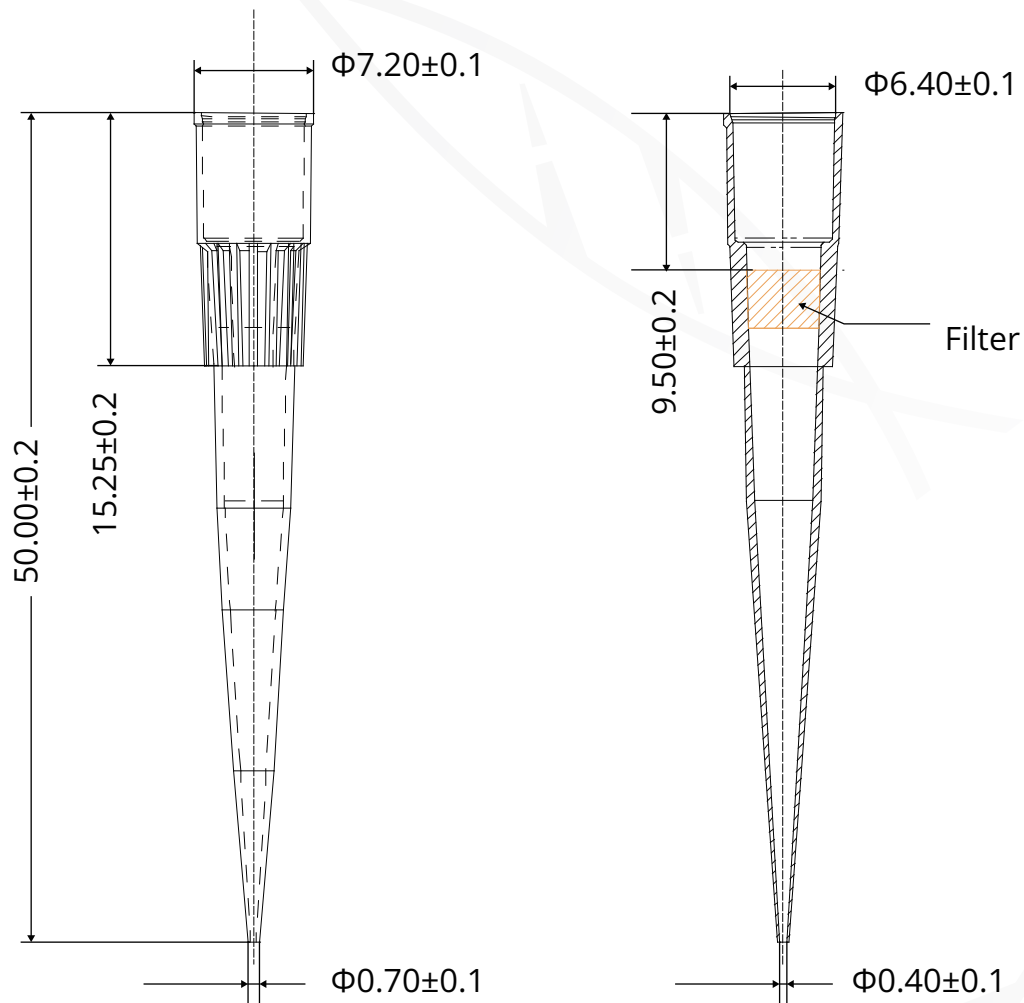
Tel: +86-575-82936953

DATA SHEET

ISO 9001

Alternative Rainin LTS Filter Tips

Technical Drawing - 200 μ L



(Unit: mm)

SHAOXING GENFOLLOWER BIOTECH CO.,LTD.

Add: Eastern industrial park, Baiguan street, Shangyu district, Shaoxing city, Zhejiang province, China

Email: GenFollower@Genfollower.com

Web: www.GenFollower.com

Fax: +86-575-82032762

Tel: +86-575-82936953

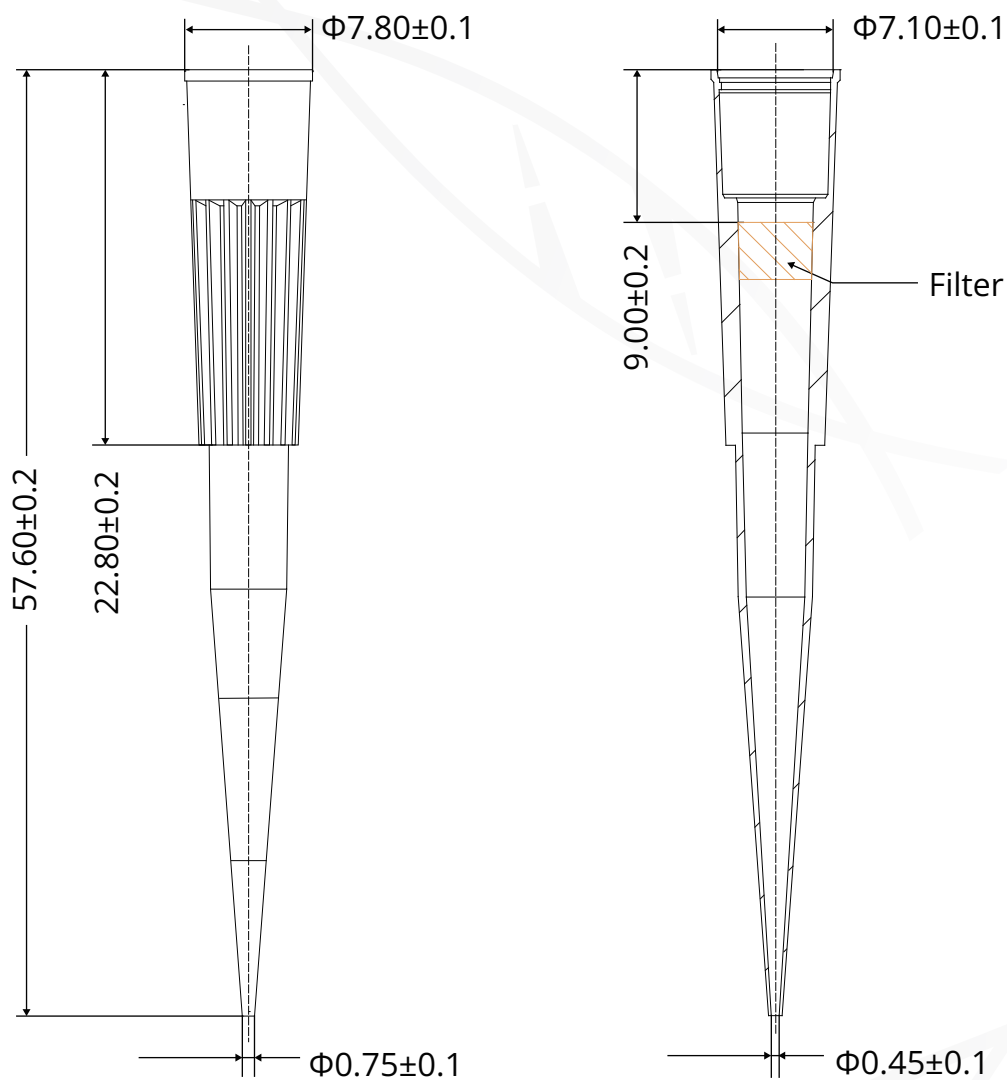
 GenFollower[®]

DATA SHEET

ISO 9001

Alternative Rainin LTS Filter Tips

Technical Drawing - 300 μ L



(Unit: mm)

SHAOXING GENFOLLOWER BIOTECH CO.,LTD.

Add: Eastern industrial park, Baiguan street, Shangyu district,
Shaoxing city, Zhejiang province, China

Email: GenFollower@Genfollower.com

Web: www.GenFollower.com

Fax: +86-575-82032762

Tel: +86-575-82936953

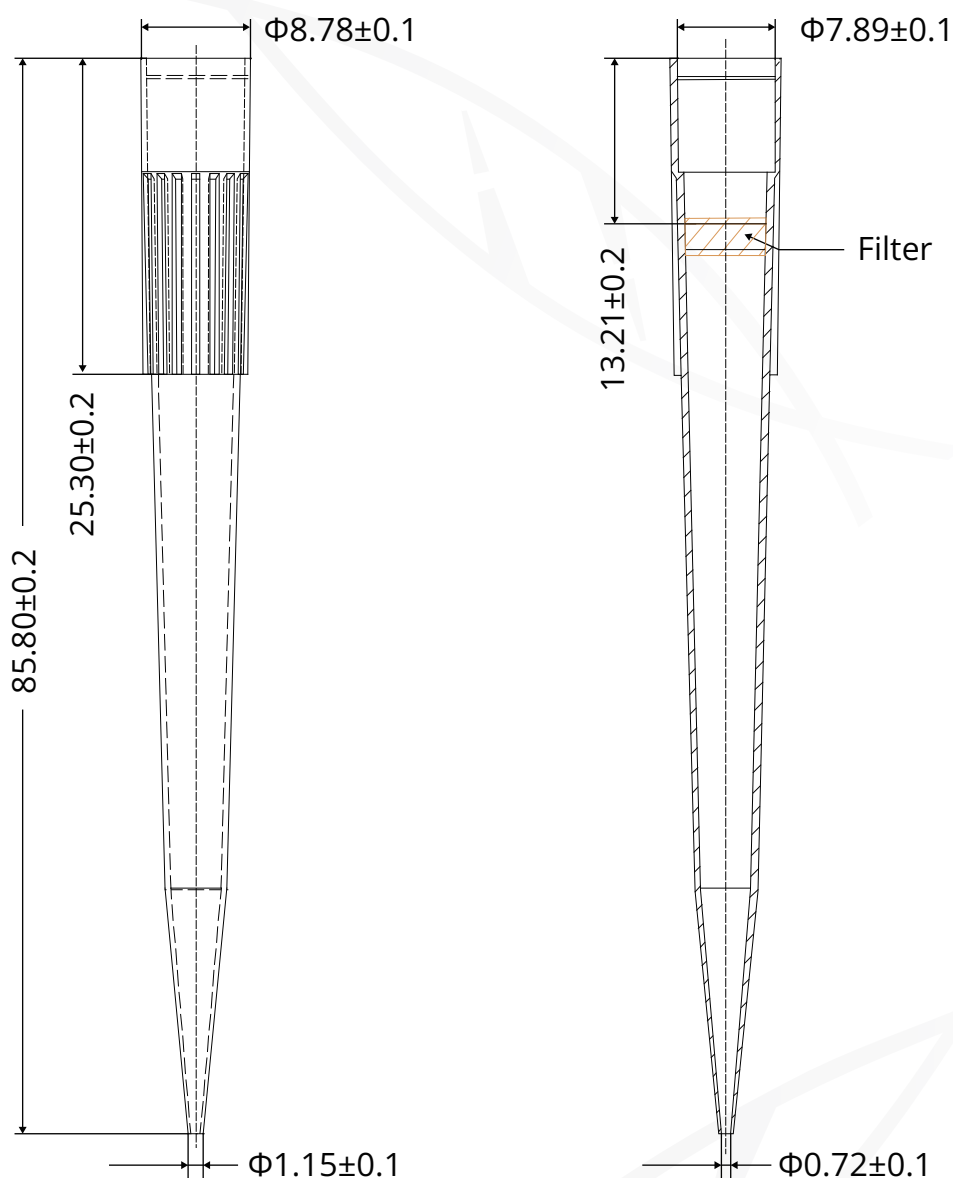
 GenFollower[®]

DATA SHEET

ISO 9001

Alternative Rainin LTS Filter Tips

Technical Drawing - 1000 μ L



(Unit: mm)

SHAOXING GENFOLLOWER BIOTECH CO.,LTD.

Add: Eastern industrial park, Baiguan street, Shangyu district, Shaoxing city, Zhejiang province, China

Email: GenFollower@Genfollower.com

Web: www.GenFollower.com

Fax: +86-575-82032762

Tel: +86-575-82936953

 GenFollower®