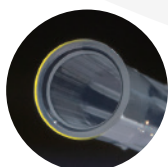


DATA SHEET

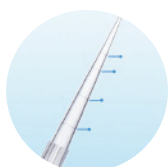
E Series Pipette Tips

ISO 9001

Features



Thinner wall of entrance brings you a softer hand feeling to reduce damage to the wrist in long-term use



More graduations could meet a wider variety of volume pipetting needs and achieve more precise pipetting

DNase RNase and DNA free,
No human DNA, endotoxin free

ISO
Class 08

No leak on the bag.
100% seal for real pre-sterilized



Autoclavable at +121 C

121 C
Autoclavable

Raw Material

Manufactured of natural Polypropylene (PP) using diamond polished molds.

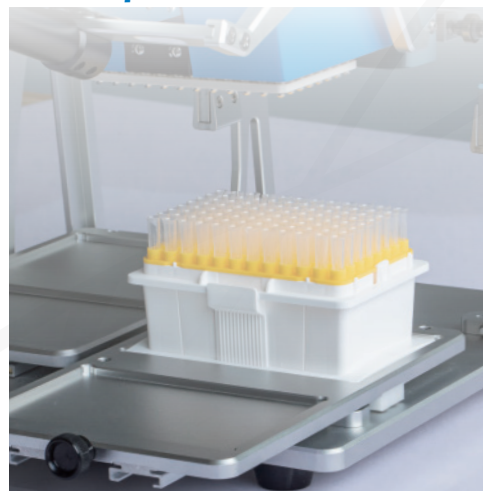
Representative samples of the raw material have passed the USP 88 Biological Reactivity Tests, In Vivo for a Class VI plastic (Systemic Injection Test, Intracutaneous Test, Implantation Test) and USP 87 Biological Reactivity Tests, In Vitro for polymeric materials (Elution Test). In addition, Physico-chemical testing of this product met the USP limits.

Application

Universal Compatible with Eppendorf, Gilson and other brands of pipettes.

Rack of the tips is up to ANSI-SLAS standard, which make it compatible with workstations using non-exclusive or non-specific tips.

We Open To New Ideas!



SHAOXING GENFOLLOWER BIOTECH CO.,LTD.

Add: No. 11, TengDa Road, Cao'E Street, Shangyu Area, Shaoxing, Zhejiang, China

Email: GenFollower@Genfollower.com

Web: www.GenFollower.com

Fax: +86-575-82032762

Tel: +86-575-82936953

**GenFollower**[®]

DATA SHEET

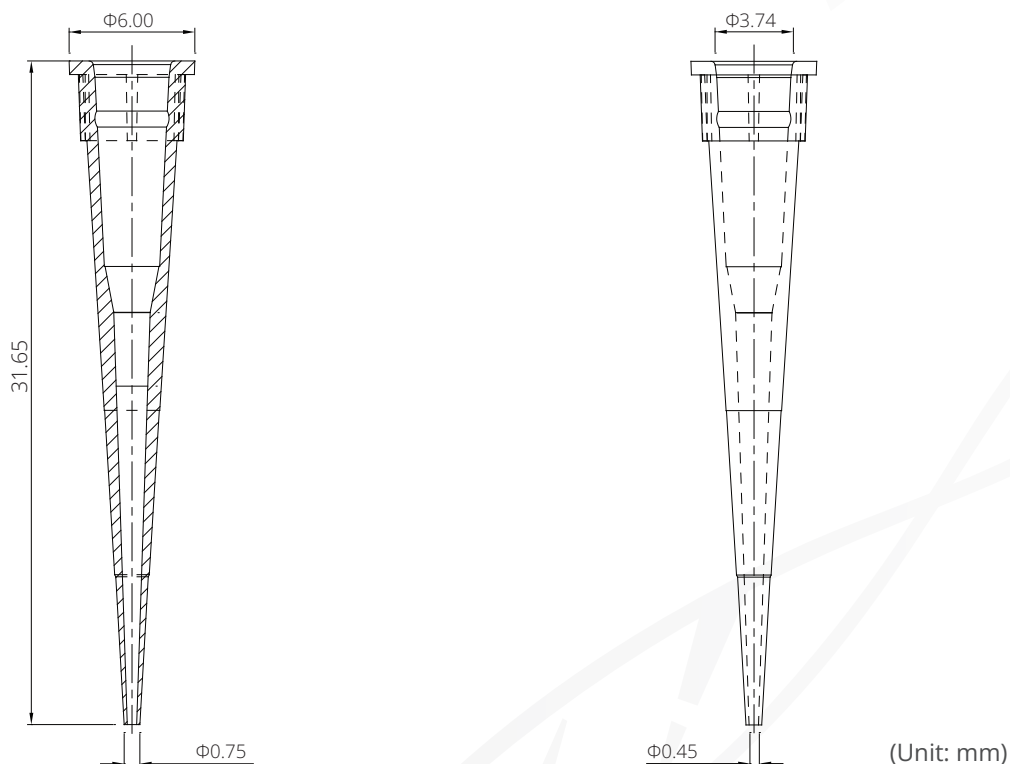
E Series Pipette Tips

ISO 9001

Product Range

Volume	Description	Packaging
10μL, Short	Short 10μL pipette tips, Nature, sterile, RNase and DNase free	Racked & Bagged
10μL, Long	Long 10μL pipette tips, Nature, sterile, RNase and DNase free	Racked & Bagged
200μL	200μL pipette tips, Nature, sterile, RNase and DNase free	Racked & Bagged
300μL	300μL pipette tips, Nature, sterile, RNase and DNase free	Racked & Bagged
1000μL	1000μL pipette tips, Nature, sterile, RNase and DNase free	Racked & Bagged
1250μL	1250μL pipette tips, Nature, sterile, RNase and DNase free	Racked & Bagged

Technical Drawing - Short 10μL



SHAOXING GENFOLLOWER BIOTECH CO.,LTD.

Add: No. 11, TengDa Road, Cao'E Street, Shangyu

Area, Shaoxing, Zhejiang, China

Email: GenFollower@Genfollower.com

Web: www.GenFollower.com

Fax: +86-575-82032762

Tel: +86-575-82936953

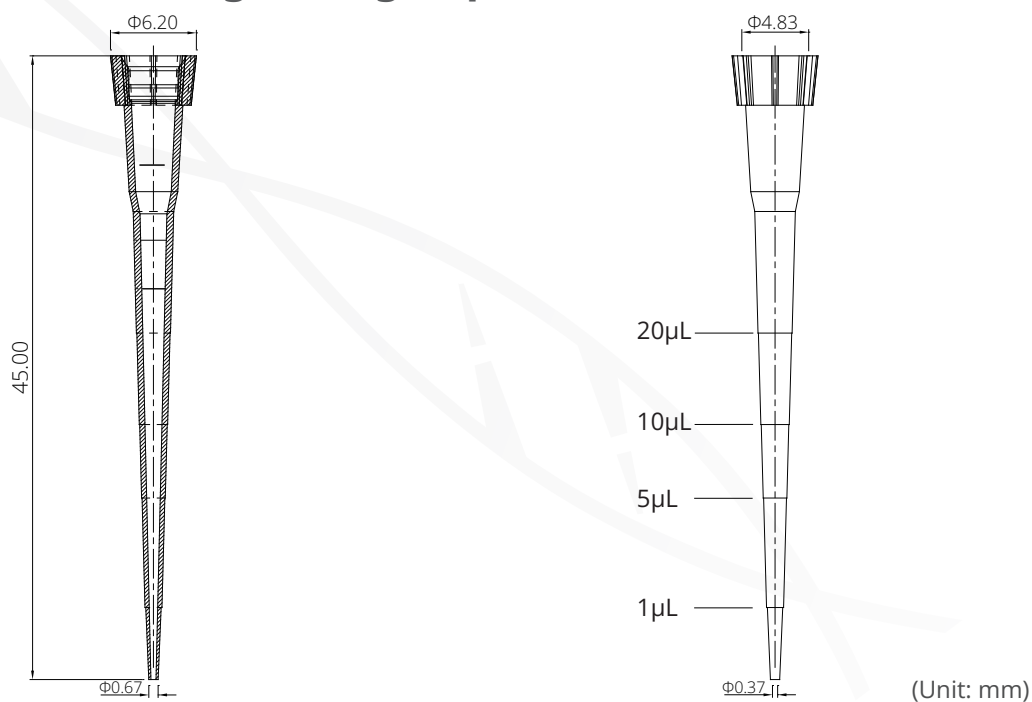


DATA SHEET

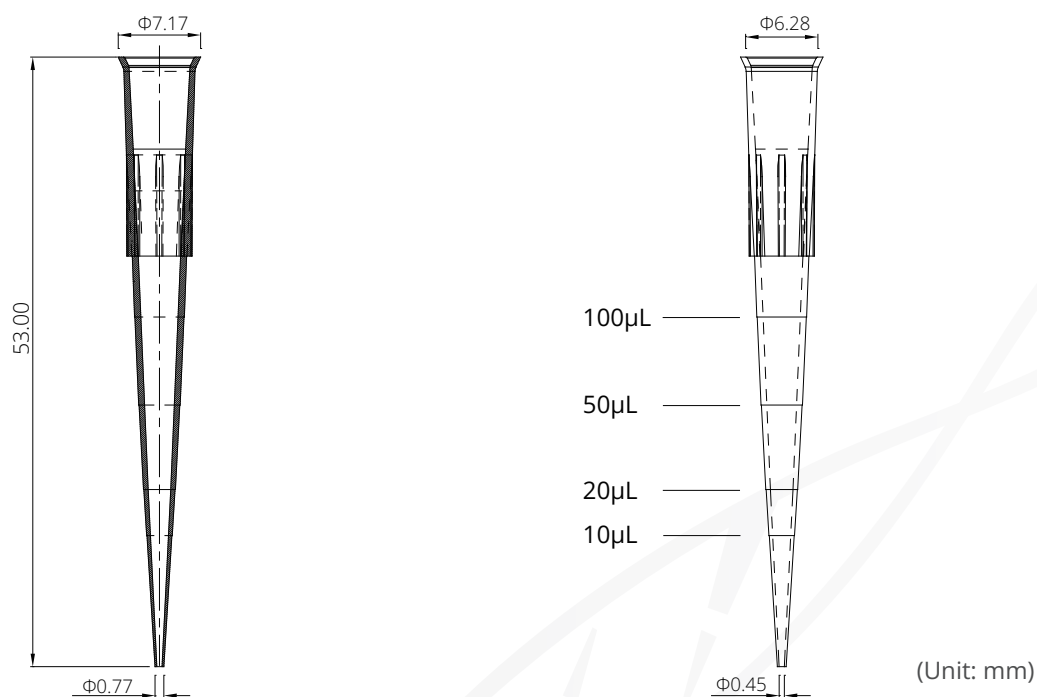
E Series Pipette Tips

ISO 9001

Technical Drawing - Long 10 μ L



Technical Drawing - 200 μ L



SHAOXING GENFOLLOWER BIOTECH CO.,LTD.

Add: No. 11, TengDa Road, Cao'E Street, Shangyu

Area, Shaoxing, Zhejiang, China

Email: GenFollower@Genfollower.com

Web: www.GenFollower.com

Fax: +86-575-82032762

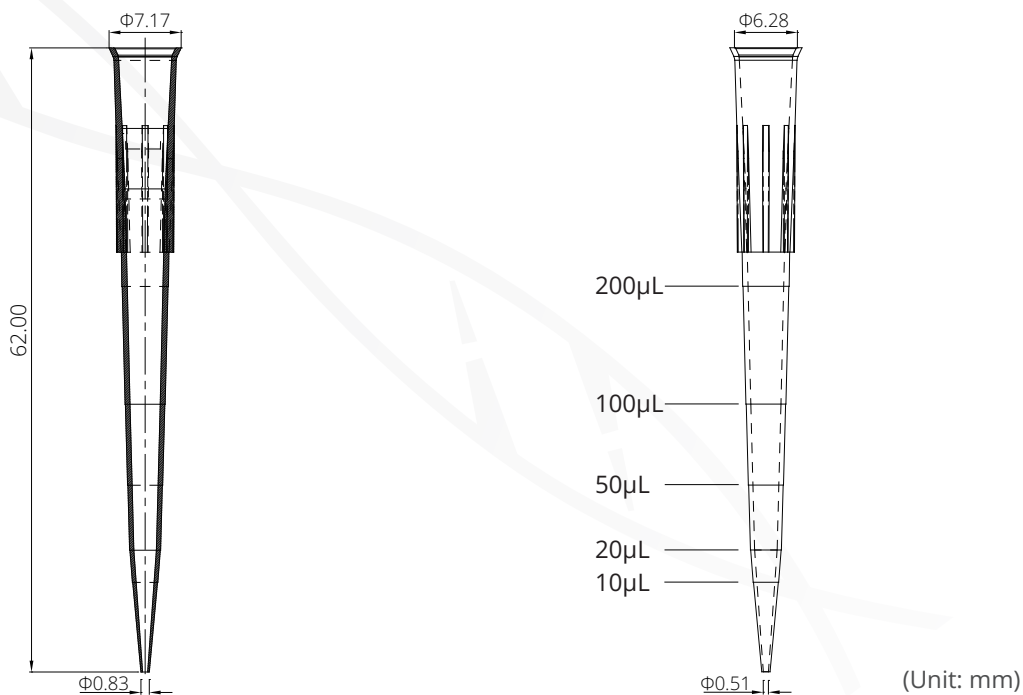
Tel: +86-575-82936953

DATA SHEET

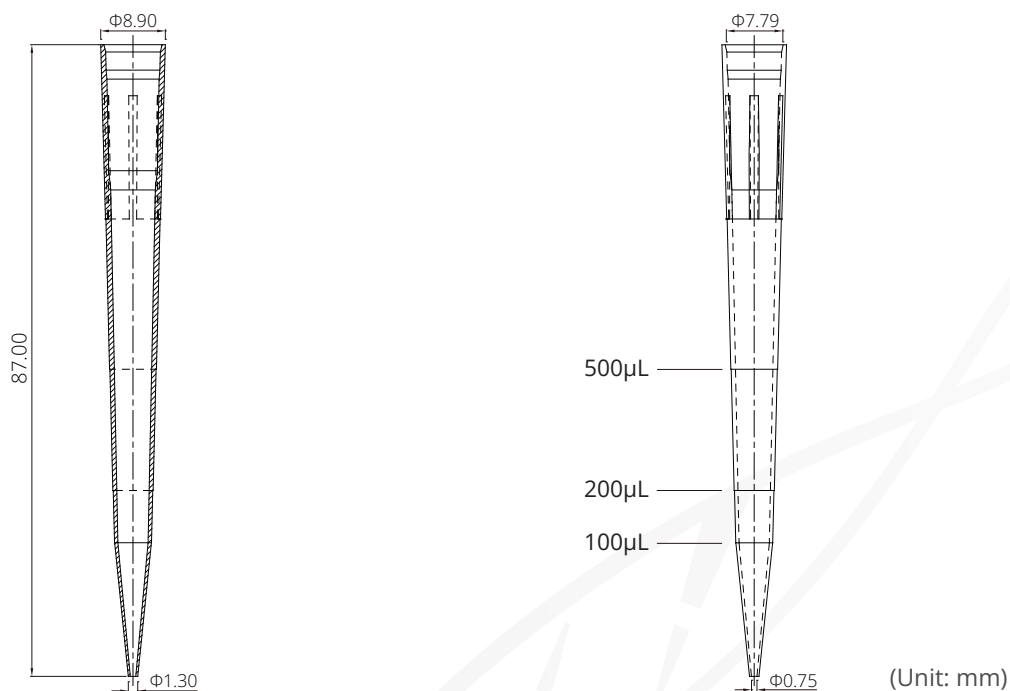
E Series Pipette Tips

ISO 9001

Technical Drawing - 300 μ L



Technical Drawing - 1000 μ L



SHAOXING GENFOLLOWER BIOTECH CO.,LTD.

Add: No. 11, TengDa Road, Cao'E Street, Shangyu

Area, Shaoxing, Zhejiang, China

Email: GenFollower@Genfollower.com

Web: www.GenFollower.com

Fax: +86-575-82032762

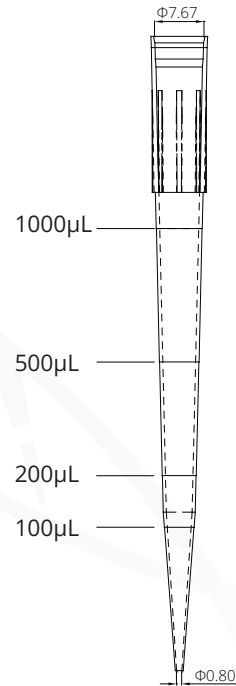
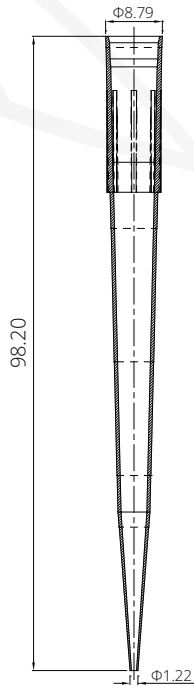
Tel: +86-575-82936953

DATA SHEET

E Series Pipette Tips

ISO 9001

Technical Drawing - 1250 μ L



(Unit: mm)

SHAOXING GENFOLLOWER BIOTECH CO.,LTD.

Add: No. 11, TengDa Road, Cao'E Street, Shangyu

Area, Shaoxing, Zhejiang, China

Email: GenFollower@Genfollower.com

Web: www.GenFollower.com

Fax: +86-575-82032762

Tel: +86-575-82936953

