

# PIPETTE TIPS

## Features

- Universal compatibility
- Autoclavable at +121°C
- PCR purity: DNase, RNase and Human DNA free, sterile
- Long reach design



RACKED TIPS

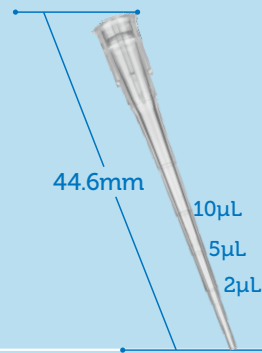


REFILL SYSTEM

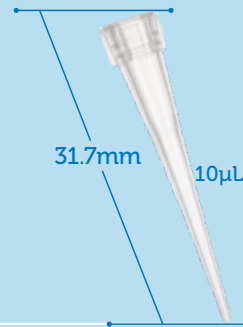


BAGGED TIPS

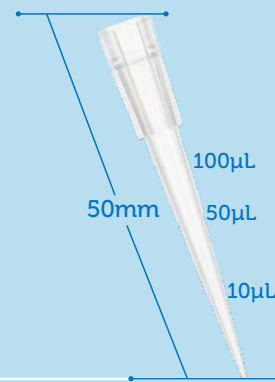
10µL, Long



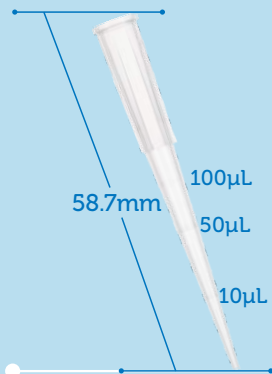
10µL, short



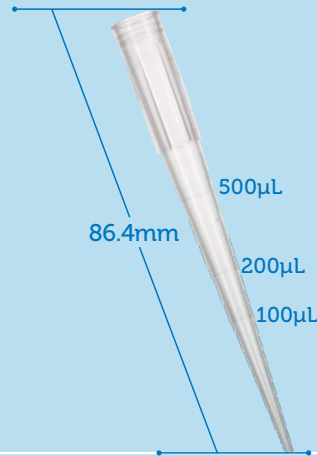
200µL



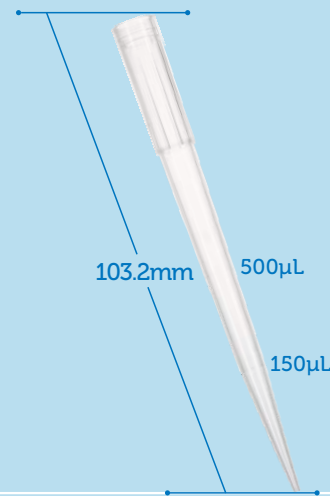
Long 200µL



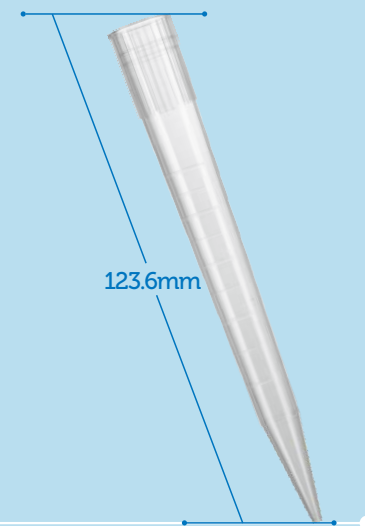
1000µL



1250µL



5000µL



## Order information

Size	Packaging	Color	Class	Cat.#	Qty / Case	Size / Case (CM)			Weight / Case (Kg)
						L	W	H	
10 µL, Long	96 tips/Rack	Nature	Common	TR10-96	50 Racks	50	29	39	8.40
10 µL, Long	1000 tips/Bag	Nature		TB10-10	10 Bags	39	32	16	2.20
10 µL, Long	960 tips/Refill unit	Nature		RS10-96	10 Units	43	37	34	5.80
10 µL, Long	96 tips/Rack	Nature	Ultra Low retention	TR10-96-R	50 Racks	50	29	39	8.40
10 µL, Long	1000 tips/Bag	Nature		TB10-10-R	10 Bags	39	32	16	2.20
10 µL, Long	960 tips/Refill unit	Nature		RS10-96-R	10 Units	43	37	34	5.80
10 µL, Short	96 tips/Rack	Nature	Common	TR10-96S	50 Racks	50	29	39	8.10
10 µL, Short	1000 tips/Bag	Nature		TB10-10S	10 Bags	39	32	16	1.70
10 µL, Short	960 tips/Refill unit	Nature		RS10-96S	10 Units	43	37	31	6.65
10 µL, Short	96 tips/Rack	Nature	Ultra Low retention	TR10-96S-R	50 Racks	50	29	39	8.10
10 µL, Short	1000 tips/Bag	Nature		TB10-10S-R	10 Bags	39	32	16	1.70
10 µL, Short	960 tips/Refill unit	Nature		RS10-96S-R	10 Units	43	37	31	6.65
200 µL	96 tips/Rack	Nature or Yellow	Common	TR200-96	50 Racks	50	29	39	9.30
200 µL	1000 tips/Bag	Nature or Yellow		TB200-10	10 Bags	47	37	23	4.10
200 µL	960 tips/Refill unit	Nature or Yellow		RS200-96	10 Units	44	39	29	7.95
200 µL	96 tips/Rack	Nature or Yellow	Ultra Low retention	TR200-96-R	50 Racks	50	29	39	9.30
200 µL	1000 tips/Bag	Nature or Yellow		TB200-10-R	10 Bags	47	37	23	4.10
200 µL	960 tips/Refill unit	Nature or Yellow		RS200-96-R	10 Units	44	39	29	7.95
200 µL, Long	96 tips/Rack	Nature or Yellow	Common	TR300-96	50 Racks	50	29	40	9.50
200 µL, Long	1000 tips/Bag	Nature or Yellow		TB300-10	10 Bags	47	37	23	4.65
200 µL, Long	960 tips/Refill unit	Nature or Yellow		RS300-96	10 Units	44	39	31	8.50
200 µL, Long	96 tips/Rack	Nature or Yellow	Ultra Low retention	TR300-96-R	50 Racks	50	29	40	9.50
200 µL, Long	1000 tips/Bag	Nature or Yellow		TB300-10-R	10 Bags	47	37	23	4.65
200 µL, Long	960 tips/Refill unit	Nature or Yellow		RS300-96-R	10 Units	44	39	31	8.50
1000 µL, Long	96 tips/Rack	Nature or Blue	Common	TR1000-96	50 Racks	58	34	56	15.50
1000 µL, Long	1000 tips/Bag	Nature or Blue		TB1000-10	10 Bags	65	53	31	9.80
1000 µL, Long	960 tips/Refill unit	Nature or Blue		RS1000-96	10 Units	48	38	45	12.20
1000 µL, Long	96 tips/Rack	Nature or Blue	Ultra Low retention	TR1000-96-R	50 Racks	58	34	56	15.50
1000 µL, Long	1000 tips/Bag	Nature or Blue		TB1000-10-R	10 Bags	65	53	31	9.80
1000 µL, Long	960 tips/Refill unit	Nature or Blue		RS1000-96-R	10 Units	48	38	45	12.20
1250 µL, Long/1500 µL	96 tips/Rack	Nature or Blue	Common	TR1250-96	50 Racks	58	34	62	15.80
1250 µL, Long/1500 µL	500 tips/Bag	Nature or Blue		TB1250-10	20 Bags	58	45	49	10.10
1250 µL, Long/1500 µL	960 tips/Refill unit	Nature or Blue		RS1250-96	10 Units	48	38	48	13.00
1250 µL, Long/1500 µL	96 tips/Rack	Nature or Blue	Ultra Low retention	TR1250-96-R	50 Racks	58	34	62	15.80
1250 µL, Long/1500 µL	500 tips/Bag	Nature or Blue		TB1250-10-R	20 Bags	58	45	49	10.10
1250 µL, Long/1500 µL	960 tips/Refill unit	Nature or Blue		RS1250-96-R	10 Units	48	38	48	13.00
5000 µL/5mL	100 tips/Bag	Nature	Common	TB5000-10	10 Bags	46	37	23	3.10

## Empty rack for Refill unit

Description	Cat.#
Empty rack for RS10-96, RS10-96-R, RS10-96S, RS10-96S-R, RS200-96, RS200-96-R	EBR-A1
Empty rack for RS300-96, RS300-96-R	EBR-A2
Empty rack for RS1000-96, RS1000-96-R	EBR-B
Empty rack for RS1250-96, RS1250-96-R	EBR-B2

## Empty rack for Bagged tips

Description	Cat.#
Empty rack with wafer for TB10-10, TB10-10-R	WEBR-A11
Empty rack with wafer for TB10-10S, TB10-10S-R	WEBR-A11S
Empty rack with wafer for TB200-10, TB200-10-R	WEBR-A12
Empty rack with wafer for TB300-10, TB300-10-R	WEBR-A2
Empty rack with wafer for TB1000-10, TB1000-10-R	WEBR-B
Empty rack with wafer for TB1250-10, TB1250-10-R	WEBR-B1